

KINTEK®



Use our QR Code to know more about Kintek.



SPECIAL PROMOTION 2022

INNOVATIVE TECHNOMECHANICAL COMPONENTS

	Worldwide +450 Customers around the world/ +40 Countries where KINTEK is distributed		
		Special production 20% special products realized every year on your demands	
	Quality 97% Customers satisfaction rate		

We brand **Quality!**

30+ years producing toolholders for milling and turning machines

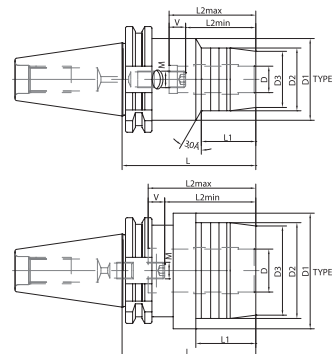
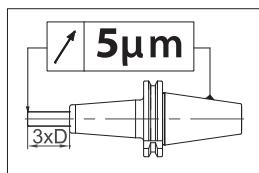
www.kintek.it

HYDRO-EXPANSION CHUCKS FOR TOOLS WITH CYLINDRICAL SHANK

HYDRO-DEHNSPANNFUTTER FÜR WERKZEUGE MIT ZYLINDERSCHAFT
 CONOS HIDRAULICOS PARA HERRAMIENTAS CON MANGO CILINDRICO
 ГИДРАВЛИЧЕСКИЕ ПАТРОНЫ ДЛЯ ИНСТРУМЕНТА
 С ЦИЛИНДРИЧЕСКИМ ХВОСТОВИКОМ

MANDRINI IDRAULICI PER UTENSILI ATTACCO CILINDRICO
 MANDRINS HYDRO-EXPANSIBLES POUR OUTILS
 A QUEUE CYLINDRIQUE
 适用圆柱刀柄的液压膨胀夹头

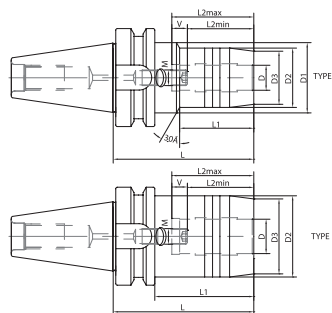
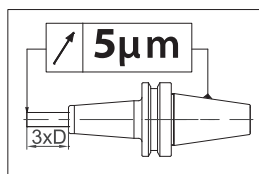
DIN69871 AD



CODE N.	PRICE	DESCRIPTION	ISO	D	D1	D2	D3	L	L1	L2 min	L2 max	V	M	TYPE	G2,5 25000
252-11305	229,00	TC40-HC6-80,5	40	6	50	28	25	80,5	44	27,5	37,5	10	M5x0,8	A	•
252-11307	229,00	TC40-HC8-80,5	40	8	50	30	27	80,5	44	27,5	37,5	10	M6x1	A	•
252-11309	225,00	TC40-HC10-80,5	40	10	50	32	29	80,5	44	32,5	42,5	10	M6x1	A	•
252-11311	225,00	TC40-HC12-80,5	40	12	50	34	31	80,5	44	37,5	47,5	10	M6x1	A	•
252-11327	225,00	TC40-HC14-80,5	40	14	50	36	33	80,5	44	37,5	47,5	10	M6x1	A	•
252-11313	225,00	TC40-HC16-80,5	40	16	50	38	35	80,5	48	42,5	52,5	10	M8x1	A	•
252-11328	225,00	TC40-HC18-80,5	40	18	50	41	38	80,5	30	42,5	52,5	10	M8x1	A	•
*252-11325	180,00	TC40-G20CS-64,5	40	20	-	49,5	40	64,5	45,5	42,5	52,5	10	M8x1	A	•
252-11315	225,00	TC40-HC20-80,5	40	20	50	43	40	80,5	48	42,5	52,5	10	M8x1	A	•
252-11317	225,00	TC40-HC25-80,5	40	25	66	57	53	80,5	26	51	61	10	M16x1	B	•
252-11318	225,00	TC40-HC32-80,5	40	32	80	63	60	80,5	26	55	65	10	M16x1	B	•

* COMPACT VERSION

MAS 403/BT AD



CODE N.	PRICE	DESCRIPTION	ISO	D	D1	D2	D3	L	L1	L2 min	L2 max	V	M	TYPE	G2,5 25000
252-11422	229,00	BT40-HC6-90	40	6	50	28	25	90	44	27,5	37,5	10	M5x0,8	A	•
252-11423	229,00	BT40-HC8-90	40	8	50	30	27	90	39	27,5	37,5	10	M6x1	A	•
252-11424	225,00	BT40-HC10-90	40	10	50	32	29	90	44	32,5	42,5	10	M6x1	A	•
252-11425	225,00	BT40-HC12-90	40	12	50	34	31	90	44	37,5	47,5	10	M6x1	A	•
252-11426	225,00	BT40-HC14-90	40	14	50	36	33	90	44	37,5	47,5	10	M6x1	A	•
252-11427	225,00	BT40-HC16-90	40	16	50	38	35	90	48	42,5	52,5	10	M8x1	A	•
252-11428	225,00	BT40-HC18-90	40	18	50	41	38	90	48	42,5	52,5	10	M8x1	A	•
*252-11443	180,00	BT40-G20CS-72,5	40	20	-	49,5	40	72,5	45,5	42,5	52,5	10	M8x1	B	•
252-11429	225,00	BT40-HC20-90	40	20	50	43	40	90	48	42,5	52,5	10	M8x1	A	•
252-11483	225,00	BT40-HC25-100	40	25	-	57	53	100	73	51	61	10	M16x1	B	•
252-11485	225,00	BT40-HC32-105	40	32	-	63	58	105	-	55	65	10	M16x1	B	•

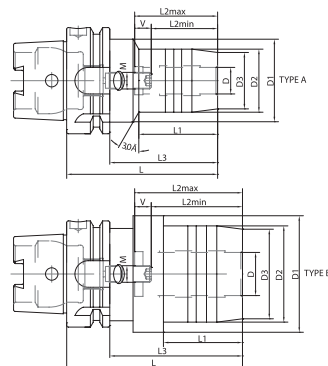
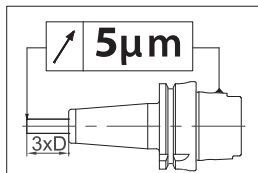
* COMPACT VERSION

HYDRO-EXPANSION CHUCKS FOR TOOLS WITH CYLINDRICAL SHANK

HYDRO-DEHNSPANNFUTTER FÜR WERKZEUGE MIT ZYLINDERSCHAFT
 CONOS HIDRAULICOS PARA HERRAMIENTAS CON MANGO CILINDRICO
 ГИДРАВЛИЧЕСКИЕ ПАТРОНЫ ДЛЯ ИНСТРУМЕНТА
 С ЦИЛИНДРИЧЕСКИМ ХВОСТОВИКОМ

MANDRINI IDRAULICI PER UTENSILI ATTACCO CILINDRICO
 MANDRINS HYDRO-EXPANSIBLES POUR OUTILS
 A QUEUE CYLINDRIQUE
 适用圆柱刀柄的液压膨胀夹头

DIN69893 A



CODE N.	PRICE	DESCRIPTION	HSK	D	D1	D2	D3	L	L1	L3	L2 min	L2 max	V	M	TYPE	G2,5 25000
252-11737	279,00	HSK63A-HC6-70	63	6	50	28	25	70	24	44	27,5	37,5	10	M5x0,8	A	•
252-11738	279,00	HSK63A-HC8-70	63	8	50	30	27	70	24	44	27,5	37,5	10	M6x1	A	•
252-11739	258,00	HSK63A-HC10-80	63	10	50	32	29	80	35	54	32,5	42,5	10	M6x1	A	•
252-11740	258,00	HSK63A-HC12-85	63	12	50	34	31	85	40	59	37,5	47,5	10	M6x1	A	•
252-11741	258,00	HSK63A-HC14-85	63	14	50	36	33	85	40	59	37,5	47,5	10	M6x1	A	•
252-11742	258,00	HSK63A-HC16-90	63	16	50	38	35	90	46	64	42,5	52,5	10	M8x1	A	•
*252-11744	258,00	HSK63A-HC20-90	63	20	50	43	40	90	48	64	42,5	52,5	10	M8x1	A	•
252-11745	258,00	HSK63A-HC25-120	63	25	63	57	53	120	59	94	51	61	10	M16x1	B	•
252-11746	258,00	HSK63A-HC32-125	63	32	75	63	58	125	63	99	55	65	10	M16x1	B	•

* COMPACT VERSION

HYDRAULIC KIT

HYDRO-DEHNSPANNFUTTERSATZ KIT IDRAULICO
 SET HIDRAULICO JEUX HYDRAULIQUE
 НАБОРЫ ГИДРОПЛАСТОВЫХ ПАТРОНОВ С ЦАНГАМИ 液压组套

- Kit Box:** 1 hydraulic chuck + 1 collets kit + 1 wrench
Cassetta Corredo: 1 mandrino "idraulico" + 1 serie pinze + 1 chiave
Ausstattungskasten: 1 Hydro-Dehnspannfutter + 1 Spannzangensatz + 1 Spannschlüssel
Contenido del set: 1 Cono hidraulico + 1 Juego de pinzas + 1 Llave
Boîte d'équipement: 1 mandrin hydraulique + 1 jeux de pince + 1 clé
Набор: 1 гидропластовый патрон + 1 ключ + 1 набор втулок
组套箱: 1个液压夹头 + 1个夹头组套 + 1个扳手

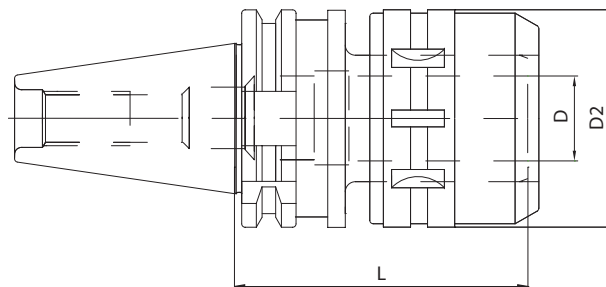


	CODICE ORDINAZIONE ORDER CODE	PRICE	COMPOSIZIONE COMPOSITION
ISO 40	KIT TC40 G20	394,00	N°1 TC40 H64,5 G20-WO + n°5 pinze GX20: Ø6,8,10,12,16
	KIT TC40 G32	538,00	N°1 TC40 H80,5 G32-WO + n°7 pinze GX32: Ø10,12,14,16,18,20,25
ISO 40	KIT BT40 G20	394,00	N°1 BT40 H72,5 G20-WO + n°5 pinze GX20: Ø6,8,10,12,16
	KIT BT40 G32	538,00	N°1 BT40 H105 G32-WO + n°7 pinze GX32: Ø10,12,14,16,18,20,25
HSK	KIT HSK63A G20	468,00	N°1 HSK63A H90 G20 + n°5 pinze GX20: Ø6,8,10,12,16
	KIT HSK63A G32	569,00	N°1 HSK63A H125 G32 + n°7 pinze GX32: Ø10,12,14,16,18,20,25

MILLING CHUCK

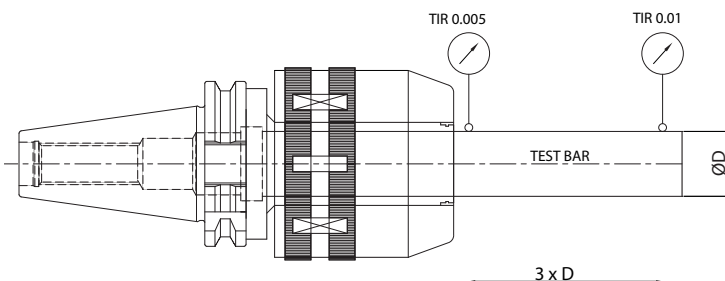
KRAFTSPANNFUTTER MANDRINI A FORTE SERRAGGIO
 CONOS PORTAHERRAMIENTAS DE GRAN APRIETE MANDRINS A FORT SERRAGE
 УСИЛЕННЫЕ ОПРАВКИ 铣夹头

DIN 69871 AD



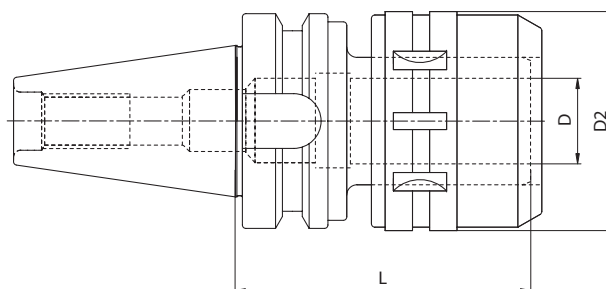
SUPPLIED WITH WRENCH • FORNITI CON CHIAVE INCLUSA
 SE SUMINISTRA CON LLAVE • INKLUSIVE SPANNSCHLÜSSEL
 CLÉ INCLUSE • ПОСТАВЛЯЕТСЯ С КЛЮЧОМ
 供货时提供扳手

CODE N.	PRICE	DESCRIPTION	ISO	D	D2	L	G6,3 12000 RPM
214-01308	135,00	TC40H90C20	40	20	54	90	•
214-01301	135,00	TC40H105C20	40	20	54	105	•
214-01302	147,00	TC40H105C32	40	32	72	105	•
214-01304	159,00	TC50H105C20	50	20	54	105	•
214-01305	174,00	TC50H105C32	50	32	72	105	•
214-01306	202,00	TC50H135C32	50	32	72	135	•



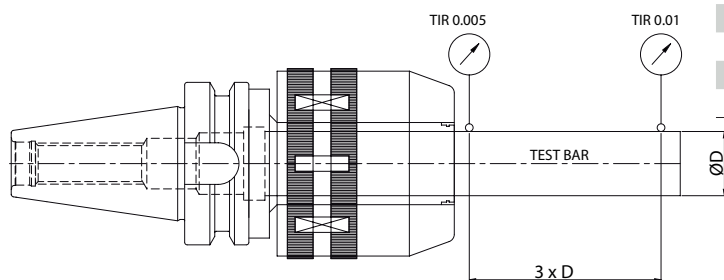
MILLING CHUCK (diameter)	SPECIFICATION (DIN)	TOLERANCE (Taper shank)	RUN-OUT (3xD)	CLAMPING TORQUE
C20	AT3	TC40 (0~+0,003)	0~0,01	980M.m (100 Kgf.m)
C32		TC50 (0~+0,004)		3430M.m (350 Kgf.m)

JIS-B 6339 MAS 403/BT AD



SUPPLIED WITH WRENCH • FORNITI CON CHIAVE INCLUSA
 SE SUMINISTRA CON LLAVE • INKLUSIVE SPANNSCHLÜSSEL
 CLÉ INCLUSE • ПОСТАВЛЯЕТСЯ С КЛЮЧОМ
 供货时提供扳手

CODE N.	PRICE	DESCRIPTION	ISO	D	D2	L	G6,3 12000 RPM
214-01508	132,00	BT40H80C20	40	20	54	80	•
214-01501	135,00	BT40H105C20	40	20	54	105	•
214-01502	147,00	BT40H105C32	40	32	72	105	•
214-01504	147,00	BT50H105C20	50	20	54	105	•
214-01505	175,00	BT50H105C32	50	32	72	105	•
214-01506	202,00	BT50H135C32	50	32	72	135	•



MILLING CHUCK (diameter)	SPECIFICATION (DIN)	TOLERANCE (Taper shank)	RUN-OUT (3xD)	CLAMPING TORQUE
C20	AT3	BT40 (0~+0,003)	0~0,01	980M.m (100 Kgf.m)
C32		BT50 (0~+0,004)		3430M.m (350 Kgf.m)

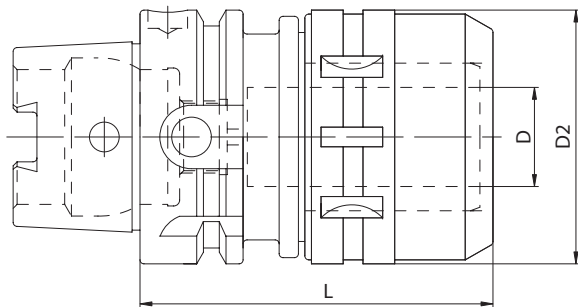
MILLING CHUCK

KRAFTSPANNFUTTER MANDRINI FORTE SERRAGGIO

CONOS PORTAHERRAMIENTAS DE GRAN APRIETE MANDRINS A FORT SERRAGE

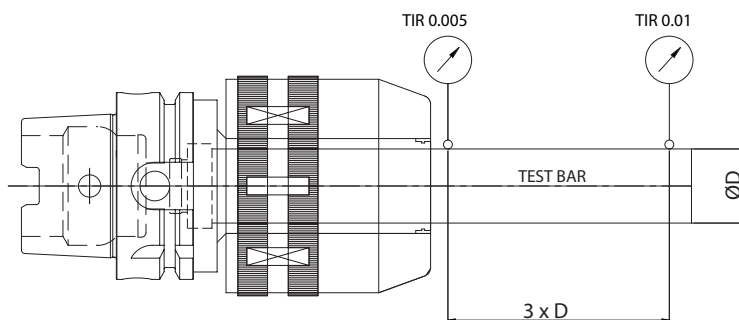
УСИЛЕННЫЕ ОПРАВКИ 铣夹头

DIN 69893 A+C



HSK	CODE N.	PRICE	DESCRIPTION	D	D2	L	G6,3 12000
63	214-01701	286,00	HSK63AH105C20	20	54	105	•
63	214-01702	286,00	HSK63AH130C32	32	72	130	•

- SUPPLIED WITH WRENCH • FORNITI CON CHIAVE INCLUSA
- INKLUSIVE SPANNSCHLÜSSEL • CLÉ INCLUSE
- ПОСТАВЛЯЕТСЯ С КЛЮЧОМ • 供货时提供扳手



MILLING CHUCK (diameter)	SPECIFICATION (DIN)	RUN-OUT (3xD)	CLAMPING TORQUE
C20	DIN 69893 A	0~0,01	980M.m (100 Kgf.m)
C32	HSK40A		3430M.m (350 Kgf.m)
	HSK50A		
	HSK63A		
	HSK100A		

MILLING CHUCK KITS

KRAFTSPANNFUTTERSATZ KIT FORTE SERRAGGIO

SET DE GRAN APRIETE JEUX À FORT SERRAGE

НАБОРЫ СИЛОВЫХ ПАТРОНОВ С ЦАНГАМИ К НИМ 铣夹头组套

Kit Box: 1 milling chuck + 1 collets kit + 1 wrench

Cassetta Corredo: 1 mandrino forte serraggio + 1 serie pinze + 1 chiave

Ausstattungskasten: 1 Kraftspannfutter + 1 Spannzangensatz + 1 Spannschlüssel

Contenido del set: 1 cono de gran apriete + 1 juego de pinzas + 1 llave

Boîte d'équipement: 1 mandrin à fort serrage + 1 jeux de pince + 1 clé

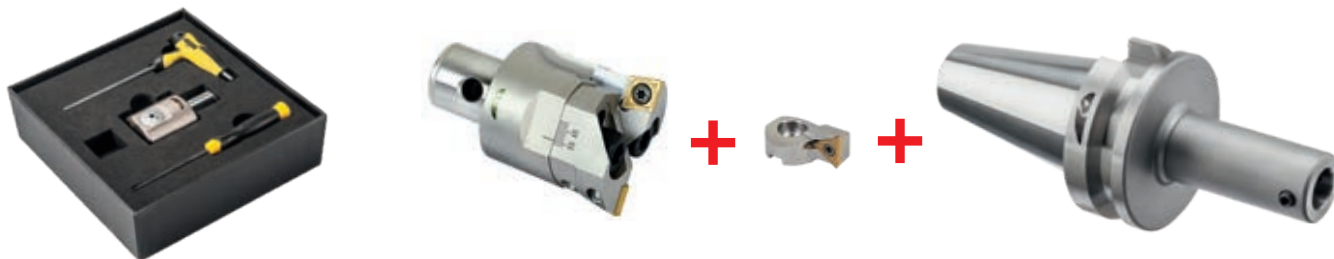
Набор: 1 патрон + 1 набор цанг + 1 ключ

组件盒: 1 个铣夹头 + 1 个夹头套装 + 1 个扳手



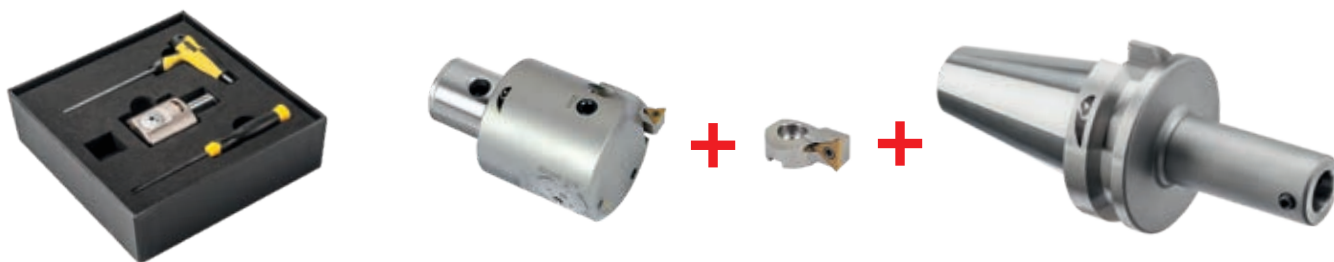
CODICE ORDINAZIONE ORDER CODE	PRICE	COMPOSIZIONE COMPOSITION
ISO 40 KIT TC40 C20	183,00	N°1 TC 40 L90 C20 + n°5 pinze K20: Ø6,8,10,12,16
ISO 40 KIT TC40 C32	227,00	N°1 TC 40 L105 C32 + n°7 pinze K32: Ø6,8,10,12,16,20,25
ISO 50 KIT TC50 C20	206,00	N°1 TC 50 L105 C20 + n°5 pinze K20: Ø6,8,10,12,16
ISO 50 KIT TC50 C32	253,00	N°1 TC 50 L105 C32 + n°7 pinze K32: Ø6,8,10,12,16,20,25
ISO 40 KIT BT40 C20	183,00	N°1 BT40 L80 C20 + n°5 pinze K20: Ø6,8,10,12,16
ISO 40 KIT BT40 C32	227,00	N°1 BT40 L80 C32 + n°7 pinze K32: Ø6,8,10,12,16,20,25
ISO 50 KIT BT50 C20	206,00	N°1 BT 50 L105 C20 + n°5 pinze K20: Ø6,8,10,12,16
HSK KIT HSK63A C20	328,00	N° HSK63AH105C20 + n°5 pinze K20: Ø6,8,10,12,16 + chiave
HSK KIT HSK63A C32	360,00	N° HSK63AH120C32 + n°7 pinze K32: Ø6,8,10,12,16,20,25 + chiave

KIT MODULAR BORING HEADS



CODE	PRICE	TOOLHOLDER		HEAD		CARTRIDGE	
KIT523BT40MD2	306,00	290-01501	BT40H85MD2	523-90001	DOUBLE - BIT HEADS MD2	524-90001 25-33	CC..0602..
KIT523BT40MD3	325,00	290-01503	BT40H95MD3	523-90002	DOUBLE - BIT HEADS MD3	524-90002 32-42	CC..09T3..
KIT523BT40MD4	357,00	290-01505	BT40H85MD4	523-90003	DOUBLE - BIT HEADS MD4	524-90003 41-54	CC..0903..
KIT523HSKMD2	462,00	290-01701	HSK63AH85MD2	523-90001	DOUBLE - BIT HEADS MD2	524-90001 25-33	CC..0602..
KIT523HSKMD3	481,00	290-01703	HSK63AH95MD3	523-90002	DOUBLE - BIT HEADS MD3	524-90002 32-42	CC..09T3..
KIT523HSKMD4	505,00	290-01705	HSK63AH85MD4	523-90003	DOUBLE - BIT HEADS MD4	524-90003 41-54	CC..0903..
KIT523SK40MD2	306,00	290-01201	TC40H85MD2	523-90001	DOUBLE - BIT HEADS MD2	524-90001 25-33	CC..0602..
KIT523SK40MD3	325,00	290-01203	TC40H95MD3	523-90002	DOUBLE - BIT HEADS MD3	524-90002 32-42	CC..09T3..
KIT523SK40MD4	357,00	290-01205	TC40H85MD4	523-90003	DOUBLE - BIT HEADS MD4	524-90003 41-54	CC..0903..

KIT



CODE	PRICE	TOOLHOLDER		HEAD		CARTRIDGE	
KIT533BT40MD2	623,00	290-01501	BT40H85MD2	533-90001	FINISHING BORING HEAD MD2-FNT25-47	534-90001 25-33	TC..06T102..
KIT533BT40MD3	639,00	290-01503	BT40H95MD3	533-90002	FINISHING BORING HEAD MD3-FNT32-60	534-90004 32-42	TC..06T102..
KIT533BT40MD4	706,00	290-01505	BT40H85MD4	533-90003	FINISHING BORING HEAD MD4-FNT41-74	534-90007 41-54	TC..1102..
KIT533HSKMD2	778,00	290-01701	HSK63AH85MD2	533-90001	FINISHING BORING HEAD MD2-FNT25-47	534-90001 25-33	TC..06T102..
KIT533HSKMD3	794,00	290-01703	HSK63AH95MD3	533-90002	FINISHING BORING HEAD MD3-FNT32-60	534-90004 32-42	TC..06T102..
KIT533HSKMD4	854,00	290-01705	HSK63AH85MD4	533-90003	FINISHING BORING HEAD MD4-FNT41-74	534-90007 41-54	TC..1102..
KIT533SK40MD2	623,00	290-01201	TC40H85MD2	533-90001	FINISHING BORING HEAD MD2-FNT25-47	534-90001 25-33	TC..06T102..
KIT533SK40MD3	639,00	290-01203	TC40H95MD3	533-90002	FINISHING BORING HEAD MD3-FNT32-60	534-90004 32-42	TC..06T102..
KIT533SK40MD4	706,00	290-01205	TC40H85MD4	533-90003	FINISHING BORING HEAD MD4-FNT41-74	534-90007 41-54	TC..1102..

MECSPE
TECNOLOGIE PER L'INNOVAZIONE

BOLOGNA 09-11 GIUGNO 2022
Padiglione 14 STAND F20

IMTS2022
INTERNATIONAL MANUFACTURING TECHNOLOGY SHOW
SEPTEMBER 12 - 17, 2022 • MCCORMICK PLACE • CHICAGO

POWERED BY **AMT**

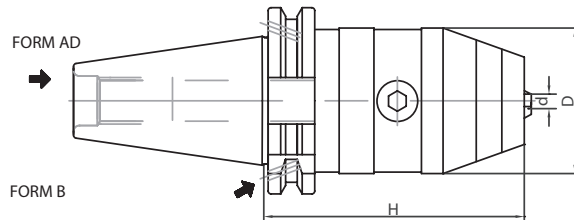
WEST BUILDING, Level 3, STAND 432392

UNIVERSAL DRILL CHUCKS

NC-BOHRFUTTER FÜR RECHTS-UND LINKSLAUF
CONOS PORTABROCAS UNIVERSALES PARA ROTACION
A IZQUIERDAS Y A DERECHAS
СВЕРЛИЛЬНЫЕ ПАТРОНЫ С ВРАЩЕНИЕМ ПО- И ПРОТИВ
ЧАСОВОЙ СТРЕЛКИ ДЛЯ СТАНКОВ С ЧПУ

MANDRINI PORTAPUNTE INTEGRALI PER ROTAZIONE
DESTRA E SINISTRA
MADRIN DE PERCAGE CNC POUR ROTATION GAUCHE-DROITE
左右旋转 NC 钻头夹头

DIN 69871 ADB



RUNOUT ACCURACY 0.05 MM T.I.R.

Suitable for right and left rotation up to 7000 rpm.

PRECISIONE DI ROTAZIONE 0.05 MM.

Adatti per rotazione sia destra che sinistra, con velocità max di 7000 g/min.

RUNDLAUFGENAUIGKEIT 0.05 MM

Sowohl für rechts- als auch links laufende Bearbeitungen geeignet, mit Höchstgeschwindigkeit von 7000 u/min.

PRECISION DE ROTACION 0.05 MM

Aptos tanto para rotación a izquierdas como para derechas, con velocidad máxima de 7000 rpm.

PRECISION DE ROTATION 0.05 MM

Utilisables pour rotation droite et gauche, avec maximale vitesse 7000 rpm.

БИЕНИЕ 0,05 MM

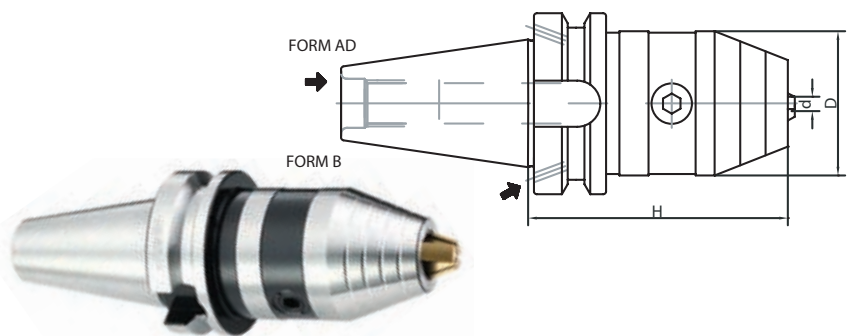
Можно вращать по- и против часовой стрелки со скоростью до 7000 об/мин.

徑向跳動精度 0.05 MM T.I.R.

适用于最高转速达 7000 转/分钟的左右旋转

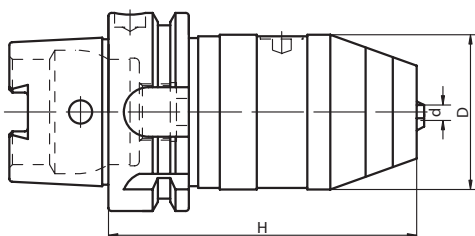
CODE N.	PRICE	DESCRIPTION	ISO	H	D	CLAMPING CAPACITY	WRENCH
252-11301	177,00	TC40H90R1-13X	40	90	50	1-13	816-152001
252-11302	185,00	TC40H95R3-16X	40	95	57	3-16	816-152001
252-11303	220,00	TC50H90R1-13X	50	90	50	1-13	816-152001
252-11304	230,00	TC50H95R3-16X	50	95	57	3-16	816-152001

JIS-B 6339 MAS 403/BT A - MAS 403BT/ADB



CODE N.	PRICE	DESCRIPTION	ISO	H	D	CLAMPING CAPACITY	WRENCH
252-11410	177,00	BT40H98R1-13X	40	98	50	1-13	816-152001
252-11411	185,00	BT40H103R3-16X	40	103	50	3-16	816-152002
252-11412	220,00	BT50H109R1-13X	50	109	50	1-13	816-152001
252-11413	230,00	BT50H114R3-16X	50	114	50	3-16	816-152002

DIN 69893 A+C



HSK	CODE N.	PRICE	DESCRIPTION	H	D	CLAMPING CAPACITY	WRENCH
63 *	252-11733	265,00	HSK63AH105R1-13X	105	50	1-13	816-152001
63 *	252-11734	282,00	HSK63AH110R3-16X	110	57	3-16	816-152002

* WITH INTERNAL COOLANT • CON PASSAGGIO REFRIGERANTE INTERNO
MIT INNENKÜHLUNG • AVEC ARROSAGE INTERNE
С ВНУТРЕННЕЙ ПОДАЧЕЙ СОЖ • 配备内部冷却剂

RUNOUT ACCURACY 0.05 MM T.I.R.

Suitable for right and left rotation up to 8000 rpm.

PRECISIONE DI ROTAZIONE 0.05 MM.

Adatti per rotazione sia destra che sinistra, con velocità max di 8000 g/min.

RUNDLAUFGENAUIGKEIT 0.05 MM

Sowohl für rechts - als auch links laufende Bearbeitungen geeignet, mit Höchstgeschwindigkeit von 8000 u/min.

PRÉCISION DE ROTATION 0,05 MM.

Appropriés pour rotation à droite et à gauche avec vitesse max. de 8000 tour par minute.

БИЕНИЕ 0,05 MM

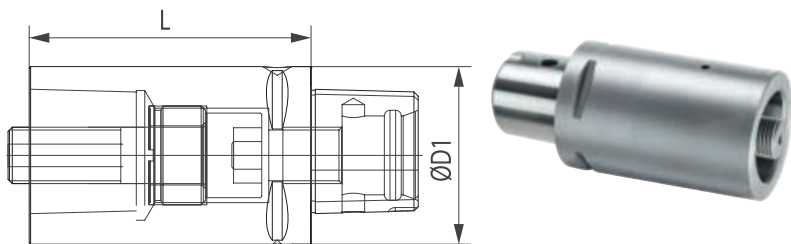
Можно вращать по- и против часовой стрелки со скоростью до 8000 об/мин.

徑向跳動精度 0.05 MM T.I.R. 适用于最高为 8000 转/分钟的左右旋转

POLYGONAL EXTENSION

POLYGONSCHAFT-VERLÄNGERUNG PROLUNGA CON ATTACCO POLIGONALE
 EXTENSION PARA SISTEMA POLIGONAL RALLONGES AVEC ATTACHEMENT POLYGONALE
 УДЛИНИТЕЛИ С ПОЛИГОНАЛЬНЫМ ХВОСТОВИКОМ 多边形延长杆

DIN ISO 26623-1

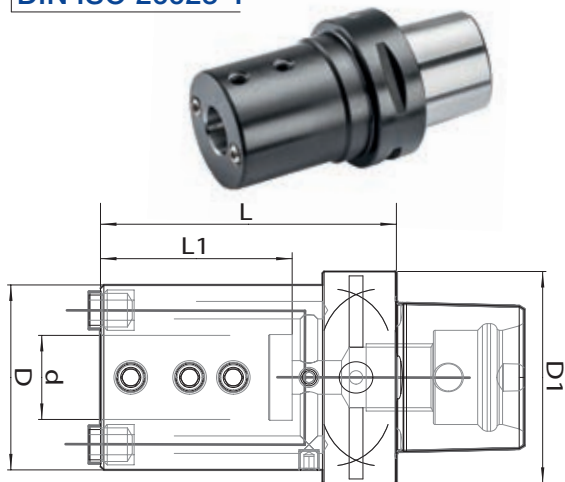


CODE N.	PRICE	ATTACCO SHANK	D1 mm	L mm
C50H50C50	177,00	C50	50	50
C50H80C50	177,00	C50	50	80
C50H100C50	172,00	C50	50	100
C63H60C63	182,00	C63	63	60
C63H100C63	182,00	C63	63	100

AXIAL BORING BAR HOLDER

AXIAL BOHRSTANGENHALTER PORTAUTENSILE PER BARENI, ASSIALE
 PORTAHERRAMIENTAS PARA BARRAS, AXIALES PORTE-OUTIL POUR BARRES D'ALEPAGE AXIAL
 ДЕРЖАТЕЛИ ОСЕВЫЕ ДЛЯ РАСТОЧНЫХ РЕЗЦОВ 轴向镗杆刀柄

DIN ISO 26623-1

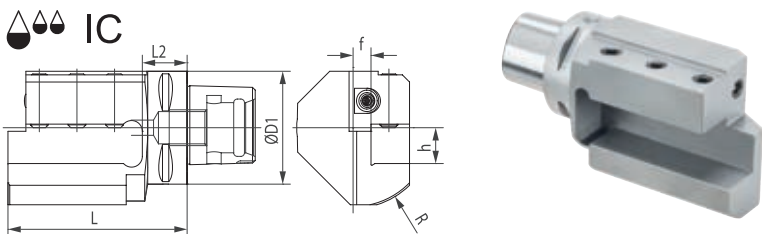


CODE N.	PRICE	ATTACCO SHANK	D	D1	d	L	L1	COOLANT NOOSE
C63H80D10E2	156,00	C63	36	63	10	80	45	PWZ1008D10X7
C63H80D12E2	156,00	C63	40	63	12	80	45	PWZ1008D10X7
C63H80D16E2	156,00	C63	45	63	16	80	50	PWZ1008D10X7
C63H80D20E2	156,00	C63	50	63	20	80	50	PWZ1008D10X7
C63H80D25E2	156,00	C63	55	63	25	88	57	PWZ1008D10X7
C63H95D32E2	156,00	C63	72	63	32	95	59	PWZ1008D12X8

90° POLYGONAL TOOLHOLDER

90° DREHHALTER MIT POLYGONSCHAFT PORTAUTENSILE 90° CON ATTACCO POLIGONALE
 PORTAHERRAMIENTA 90° CON SUJECION POLIGONAL PORTE-OUTIL 90° AVEC ATTACHEMENT POLYGONALE
 ПАТРОНЫ DIN ДЛЯ ДЕРЖАВОК ДЛЯ НАРУЖНОГО ТОЧЕНИЯ 90 ГРАДУСОВ 90°多边形刀柄

DIN ISO 26623-1



CODE N.	PRICE	ATTACCO SHANK	D1 mm	L mm	h mm
C63-AD2525L	269,00	C63	63	130	25
C63-AD2525R	269,00	C63	63	130	25



45° DREHHALTER MIT POLYGONSCHAFT

45° POLYGONAL TOOLHOLDER

PORTAUTENSILE 45° CON ATTACCO POLIGONALE

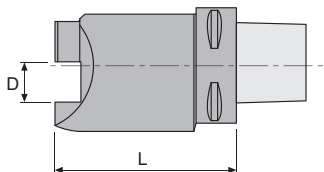
PORTAHERRAMIENTA 45° CON SUJECION POLIGONAL

PORTE-OUTIL 45° AVEC ATTACHEMENT POLYGONALE

ПАТРОНЫ DIN ДЛЯ ДЕРЖАВОК ДЛЯ НАРУЖНОГО ТОЧЕНИЯ 45 ГРАДУСОВ

45° 多边形刀柄

DIN ISO 26623-1



CODE N.	PRICE	ATTACCO SHANK	D mm	L mm
C63AR25L	311,00	C63	25	130
C63AR25R	311,00	C63	25	130

AXIAL TOOLHOLDER

AXIAL WERKZEUGHALTER

PORTAUTENSILE ASSIALE

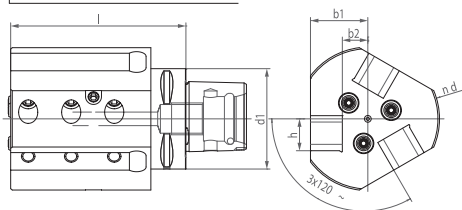
PORTAHERRAMIENTA AXIAL

PORTE-OUTIL AXIAL

РЕЗЦЕДЕРЖАТЕЛИ ОСЕВЫЕ

轴向刀柄

DIN ISO 26623-1



CODE N.	PRICE	SHANK	d1	b1	b2	h	l	d
C63AT20L	433,00	C63	63	36	16	20	110	90
C63AT20R	433,00	C63	63	36	16	20	110	90



ER COLLET SETS

ER - SPANNZANGENSATZ SERIE PINZE TIPO ER

JUEGO DE PINZAS TIPO ER JEUX DE PINCES TYPE ER

НАБОРЫ ЦАНГ ER ER 夹头组套

RUNOUT ≤ 0,010

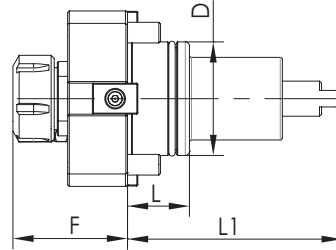
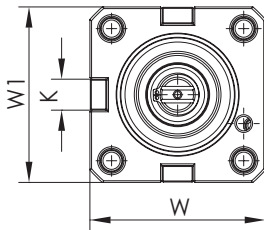


TYPE	PRICE	NUMBER OF COLLETS	CLAMPING CAPACITY
SERIE-ER8	60,00	(1÷5) 9 collets	Ø 1-1,5-2-2,5-3-3,5-4-4,5-5
SERIE-ER11	73,00	(1÷7) 13 collets	Ø 1-1,5-2-2,5-3-3,5-4-4,5-5-5,5-6-6,5-7
SERIE-ER16	55,00	(1÷10) 10 collets	Ø 1-2-3-4-5-6-7-8-9-10
SERIE-ER20	63,00	(2÷13) 12 collets	Ø 2-3-4-5-6-7-8-9-10-11-12-13
SERIE-ER25	84,00	(2÷16) 15 collets	Ø 2-3-4-5-6-7-8-9-10-11-12-13-14-15-16
SERIE-ER32	100,00	(3÷20) 18 collets	Ø 3-4-5-6-7-8-9-10-11-12-13-14-15-16-17-18-19-20
SERIE-ER40	175,00	(4÷26) 23 collets	Ø 4-5-6-7-8-9-10-11-12-13-14-15-16-17-18-19-20-21-22-23-24-25-26

AXIAL DRILLING AND MILLING HEAD

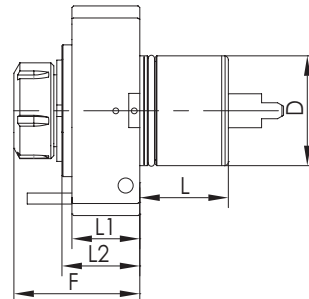
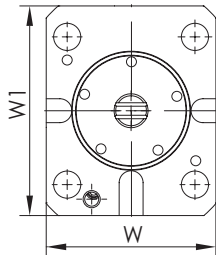
AXIAL BOHR- UND FRÄSKOPF PORTAUTENSILE MOTORIZZATO ASSIALE
 PORTAHERRAMIENTAS MOTORIZADAS AXIAL TÊTE DE PERÇAGE ET FRAISAGE
 АКСИАЛЬНАЯ СВЕРЛИЛЬНО-ФРЕЗЕРНАЯ ГОЛОВКА 轴向钻铣头

BMT



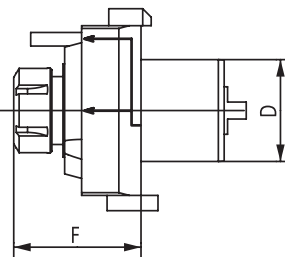
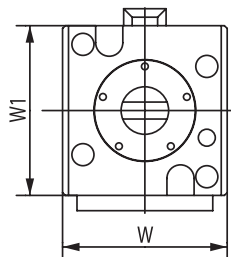
CODE N.	PRICE	BMT	ER	D	F	K	L	L1	W	W1	MAX: SPEED (Rpm)	I	MAX: TORQUE Nm	INTERNAL COOLING
124-04502	852,00	45	ER25	45	67,6	15	40	84	78,5	75	6000	1:1	50	yes
124-05501	797,00	55	ER25	55	71	15	30	104	85	85	6000	1:1	50	no
124-06509	887,00	55	ER25	55	71	15	30	104	85	85	6000	1:1	50	yes
124-06501	991,00	65	ER32	65	75	18	32	112	94	94	6000	1:1	70	no
124-06508	1.065,00	65	ER32	65	75	18	32	112	94	94	6000	1:1	70	yes

MORI SEIKI NL2000



CODE N.	PRICE	ER	D	F	L	L1	L2	W	W1	TORQUE (Nm)	Nmax (rpm)	I	INTERNAL COOLING	P (bar)
124-06003	1.242,00	ER32	60	89	53	48,5	58	108	130	70	6000	1:1	yes	20

OKUMA BMT60

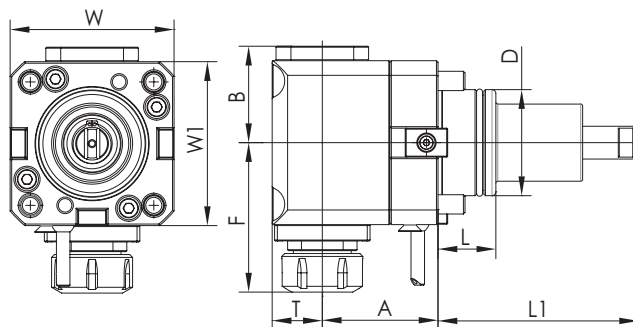


CODE N.	PRICE	D	ER	INTERNAL COOLING	F	W	W1	TORQUE (Nm)	Nmax (rpm)	RATIO	P (bar)
124-06005	1.251,00	60	ER32	no	87	97	100	70	6000	1:1	-
124-06006	1.399,00	60	ER32	yes	87	97	100	70	6000	1:1	20

RADIAL DRILLING AND MILLING HEAD

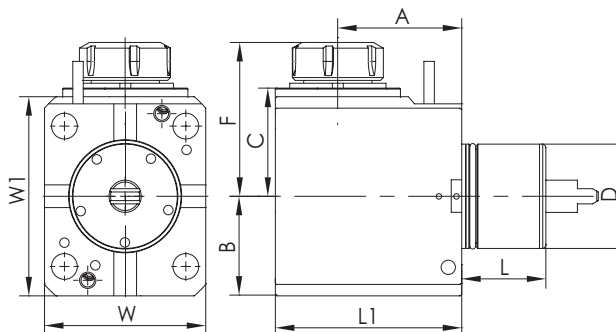
RADIAL BOHR- UND FRÄSKOPF PORTAUTENSILE MOTORIZZATO RADIALE
 PORTAHERRAMIENTAS MOTORIZADAS RADIAL TÊTE DE PERÇAGE ET FRAISAGE RADIAL
 РАДИАЛЬНАЯ СВЕРЛИЛЬНО-ФРЕЗЕРНАЯ ГОЛОВКА 径向钻头

BMT



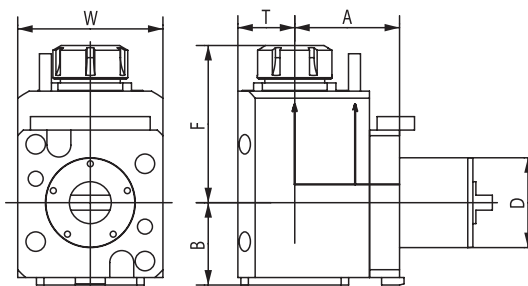
CODE N.	PRICE	BMT	ER	D	A	B	F	L	L1	T	W	W1	MAX: SPEED (Rpm)	I	MAX: TORQUE Nm	INTERNAL COOLING	P BAR
124-04504	1.501,00	45	ER25	45	65	57	97,6	40	84	36,5	75	83	6000	1:1	50	yes	20
124-05502	1.473,00	55	ER25	55	70	57	98	30	104	36,5	85	98	6000	1:1	50	no	-
124-06510	1.548,00	55	ER25	55	70	57	98	30	104	36,5	85	98	6000	1:1	50	yes	20
124-05511	1.473,00	55	ER25	55	85	57	98	30	104	36,5	85	98	6000	1:1	50	no	-
124-05512	1.548,00	55	ER25	55	85	57	98	30	104	36,5	85	98	6000	1:1	50	yes	20
124-06502	1.723,00	65	ER32	65	72	59	111	32	112	38	94	100	6000	1:1	70	no	-
124-06512	1.797,00	65	ER32	65	72	59	111	32	112	38	94	100	6000	1:1	70	yes	20
124-06513	1.879,00	65	ER32	65	100	59	111	32	112	38	94	100	6000	1:1	70	no	-
124-06514	1.959,00	65	ER32	65	100	59	111	32	112	38	94	100	6000	1:1	70	yes	20

MORI SEIKI NL2000

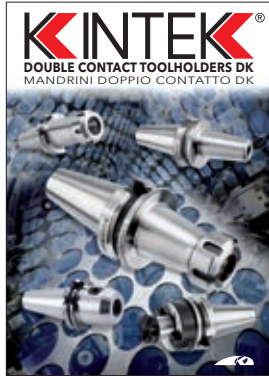
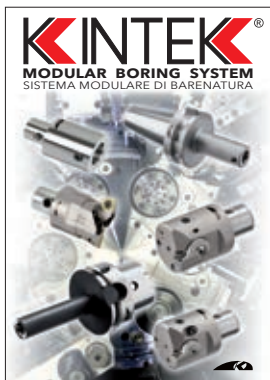


CODE N.	PRICE	ER	D	F	L	L1	A	B	C	W	W1	TORQUE (Nm)	Nmax (rpm)	I	INTERNAL COOLING	P (bar)
124-06004	1.862,00	ER32	60	107	53	128	90	65	78	108	130	70	6000	1:1	yes	20

OKUMA BMT60



CODE N.	PRICE	D	ER	INTERNAL COOLING	DIRECTION	A	B	F	T	W	TORQUE (Nm)	Nmax (rpm)	RATIO	P (bar)
124-06007	1.881,00	60	ER32	no	right/left	70	59	111	38	94	70	6000	1:1	-
124-06008	1.992,00	60	ER32	yes	right/left	70	59	111	38	94	70	6000	1:1	20



OUR COMPLETE RANGE



NEW PRODUCTION PLANT
KINTEK S.R.L. - MAPPANO - TORINO - ITALY



HEAD OFFICE
KINTEK S.R.L. - MAPPANO - TORINO - ITALY



MAIN PRODUCTION PLANT
KINTEK TOOLING KFT - BEKESCSABA - HUNGARY



KINTEK s.r.l.

Società a responsabilità limitata Unipersonale
Società soggetta alla direzione e coordinamento di KINTEK HOLDING S.r.l.

Via Goretta 88/G - 10079 MAPPANO (TO) - Italy
Tel.: +39 011 99 68 065 - Fax: +39 011 99 65 662
E-mail: info@kintek.it - Url: www.kintek.it

Cod. Fisc. e Partita Iva: 08746040016 - Cap. Soc.: € 179.850,00
R.E.A: 997323 - R.I. Uff. To: 08746040016
Codice Univoco: M5UXCR1

