



BISON

MANUAL AND POWER CHUCKS



1

MANDRINI MANUALI E AUTOMATICI MANUAL AND POWER CHUCKS

(GRIFFE, FLANGE, ACCESSORI, DATI TECNICI)

(JAWS, ADAPTER PLATES, ACCESSORIES, TECHNICAL INFO)

2

CONTROPUNTE FISSE E ROTANTI FIXED AND LIVE CENTRES

3

MORSE E DIVISORI VICES AND INDEXING FIXTURES

4

MANDRINERIA SPINDLE TOOLING

TUTTO PER IL TORNIO MANUALE EVERYTHING FOR THE MANUAL LATHE

MANDRINO MANUALE (AUTOCENTRANTE, INDIPENDENTE, COMBINATO)
MANUAL CHUCK (SELF-CENTERING, INDEPENDENT, COMBINED)

1

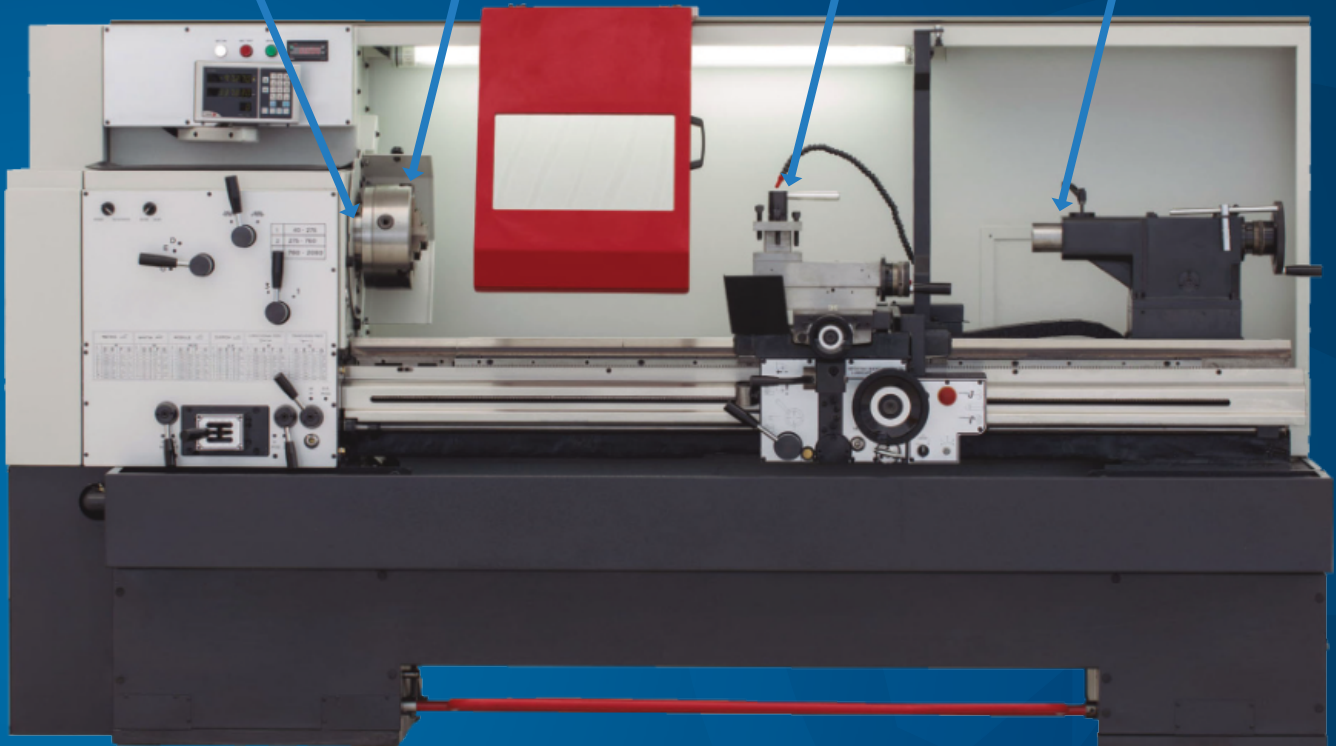
1 **FLANGIA**
ADAPTER PLATE

TORRETTA PORTAUTENSILE A CAMBIO RAPIDO
QUICK-CHANGE TOOLPOST

4

CONTROPUNTE
CENTERS

2



2 ANNI DI GARANZIA
2 YEAR WARRANTY

TUTTO PER IL TORNIO CNC EVERYTHING FOR THE CNC LATHE

**MANDRINO (AUTOCENTRANTE MANUALE / AUTOMATICO, INDIPENDENTE, COMBINATO)
CHUCK (POWER / MANUAL SELF-CENTERING, INDEPENDENT, COMBINED)**

1

1

**FLANGIA
ADAPTER PLATE**

**MANDRINERIA
SPINDLE TOOLING**

4

**CONTROPUNTE
CENTERS**

2

**2 ANNI DI GARANZIA
2 YEAR WARRANTY**

TUTTO PER LA FRESA A 3 ASSI

EVERYTHING FOR THE 3-AXIS MILLING MACHINE

MANDRINERIA
SPINDLE TOOLING **4**

MANDRINERIA
SPINDLE TOOLING **4**



MORSE / DIVISORI
VICES / INDEXING FIXTURES **3**

1 **MANDRINO (AUTOCENTRANTE, INDIPENDENTE, COMBINATO)**
MANUAL CHUCK (SELF-CENTERING, INDEPENDENT, COMBINED)

2 ANNI DI GARANZIA
2 YEAR WARRANTY

TUTTO PER LA FRESA A 5 ASSI

EVERYTHING FOR THE 5-AXIS MILLING MACHINE



MANDRINERIA
SPINDLE TOOLING **4**

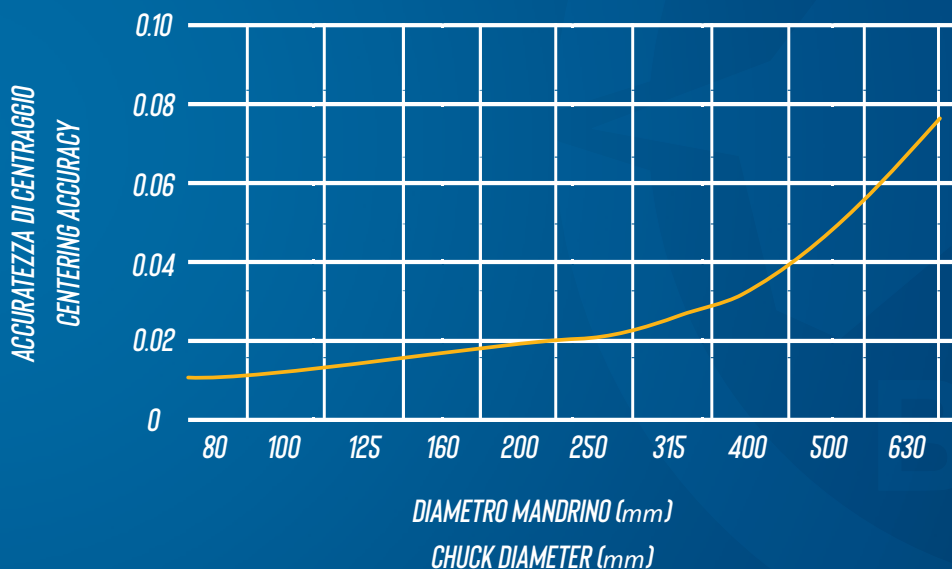
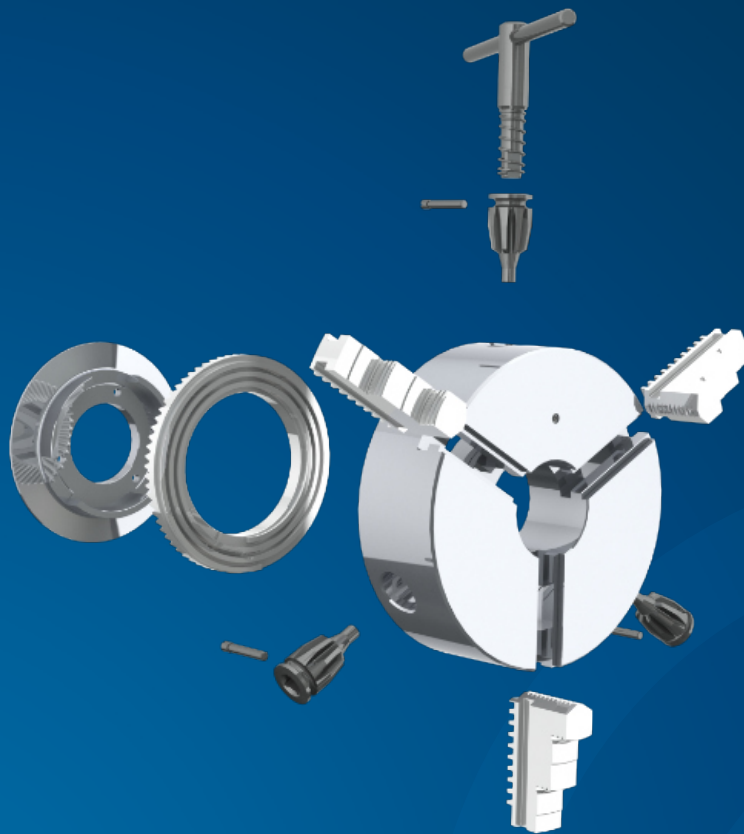
1 **MANDRINO (AUTOCENTRANTE, INDIPENDENTE, COMBINATO)**
MANUAL CHUCK (SELF-CENTERING, INDEPENDENT, COMBINED)

MORSE
VICES **3**

2 ANNI DI GARANZIA
2 YEAR WARRANTY

MANDRINI MANUALI

MANUAL CHUCKS



MANDRINO AUTOCENTRANTE MANUALE SELF-CENTERING SCROLL CHUCK

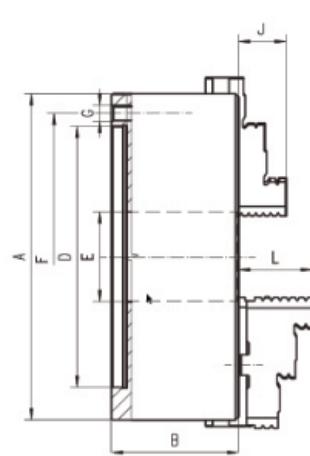
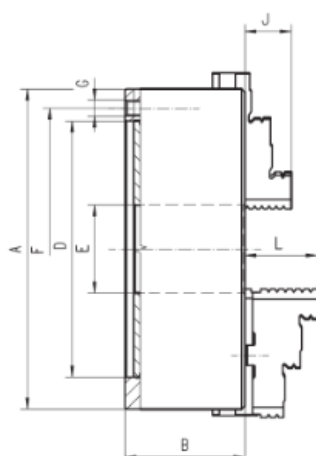
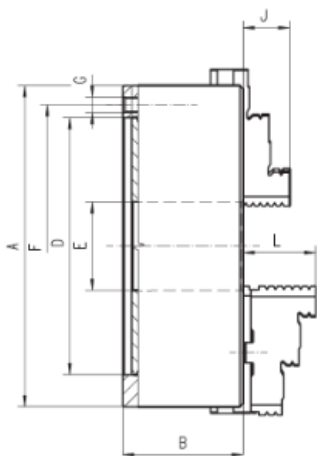
CORPO IN GHISA, ATTACCO FLANGIA, GRIFFE INTEGRALI
CAST IRON BODY, PLAIN BACK MOUNT, SOLID JAWS

DISPONIBILE ANCHE IN ACCIAIO
STEEL VERSION ALSO AVAILABLE

3204
(3 GRIFFE INTEGRALI)
(3 SOLID JAWS)

3604
(4 GRIFFE INTEGRALI)
(4 SOLID JAWS)

3804
(6 GRIFFE INTEGRALI)
(6 SOLID JAWS)



DIAMETRI DISPONIBILI: DA 80 A 3000mm
AVAILABLE DIAMETERS: FROM 80 UP TO 3000mm

DIAMETRI DISPONIBILI: DA 125 A 3000mm
AVAILABLE DIAMETERS: FROM 125 UP TO 3000mm

DIAMETRI DISPONIBILI: DA 200 A 3000mm
AVAILABLE DIAMETERS: FROM 200 UP TO 3000mm

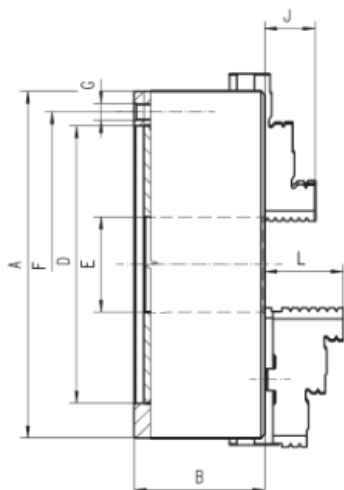
Ø (A)	B	D H7	E	F	G	J	L	KG
80	44	56	16	67	3XM6	13	-	1.5
100	50	70	20	83	3XM8	16	-	2.8
125	56	95	32	108	3XM8	20	40	5
160	64.5	125	42	140	6XM10	32	43	10
200	75	160	55	176	6XM10	29	45	17.5
250	85	200	76	224	6XM12	34	53	29
315	94	260	103	286	6XM16	43	57	50
400	105	330	136	362	6XM16	55	67	85
500	120	420	190	458	6XM16	60	79	145
630	135	545	252	586	6XM16	70	87	250

MANDRINO AUTOCENTRANTE MANUALE SELF-CENTERING SCROLL CHUCK

CORPO IN GHISA, ATTACCO FRONTALE, GRIFFE INTEGRALI
CAST IRON BODY, FRONT MOUNTING, SOLID JAWS

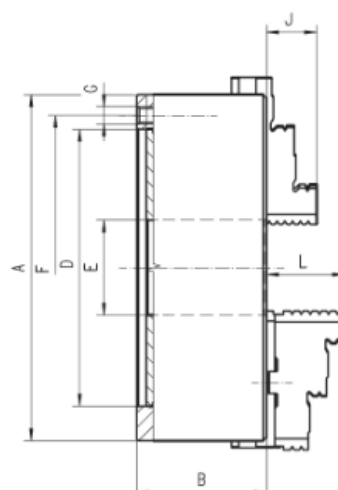
DISPONIBILE ANCHE IN ACCIAIO
STEEL VERSION ALSO AVAILABLE

3274
(3 GRIFFE INTEGRALI)
(3 SOLID JAWS)



DIAMETRI DISPONIBILI: DA 80 A 3000mm
AVAILABLE DIAMETERS: FROM 80 UP TO 3000mm

3674
(4 GRIFFE INTEGRALI)
(4 SOLID JAWS)



DIAMETRI DISPONIBILI: DA 125 A 3000mm
AVAILABLE DIAMETERS: FROM 125 UP TO 3000mm

Ø (A)	B	D H7	E	F	G	J	L	KG
80	44	56	16	67	3XM6	13	-	1.5
100	50	70	20	83	3XM8	16	-	2.8
125	56	95	32	108	3XM8	20	40	5
160	64.5	125	42	140	6XM10	32	43	10
200	75	160	55	176	6XM10	29	45	17.5
250	85	200	76	224	6XM12	34	53	29
315	94	260	103	286	6XM16	43	57	50
400	105	330	136	362	6XM16	55	67	85
500	120	420	190	458	6XM16	60	79	145
630	135	545	252	586	6XM16	70	87	250

MANDRINO AUTOCENTRANTE MANUALE

SELF-CENTERING SCROLL CHUCK

CORPO IN GHISA, ATTACCO FLANGIA, GRIFFE SCOMPOSTE
CAST IRON BODY, PLAIN BACK MOUNT, 2-PIECE JAWS

DISPONIBILE ANCHE IN ACCIAIO
STEEL VERSION ALSO AVAILABLE

3205

(3 GRIFFE SCOMPOSTE)

(3 2-PIECE JAWS)



3605

(4 GRIFFE SCOMPOSTE)

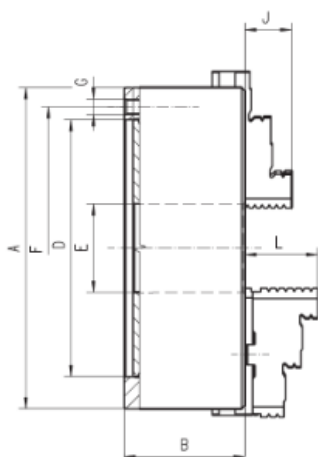
(4 2-PIECE JAWS)



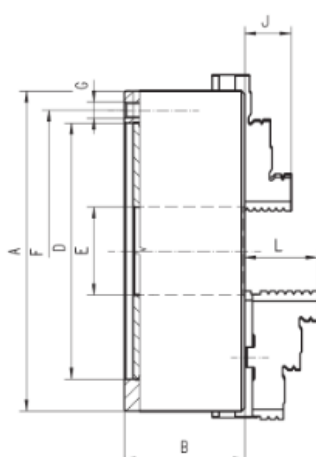
3805

(6 GRIFFE SCOMPOSTE)

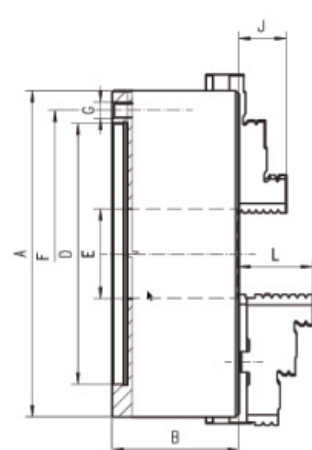
(6 2-PIECE JAWS)



DIAMETRI DISPONIBILI: DA 125 A 3000_{mm}
AVAILABLE DIAMETERS: FROM 125 UP TO 3000_{mm}



DIAMETRI DISPONIBILI: DA 125 A 3000_{mm}
AVAILABLE DIAMETERS: FROM 125 UP TO 3000_{mm}



DIAMETRI DISPONIBILI: DA 200 A 3000_{mm}
AVAILABLE DIAMETERS: FROM 200 UP TO 3000_{mm}

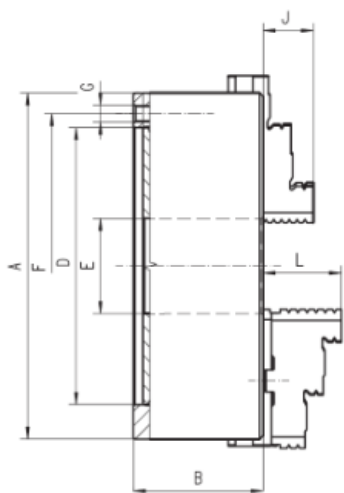
Ø (A)	B	D H7	E	F	G	J	L	KG
125	56	95	32	108	3XM8	20	40	5
160	64.5	125	42	140	6XM10	32	43	10
200	75	160	55	176	6XM10	29	45	17.5
250	85	200	76	224	6XM12	34	53	29
315	94	260	103	286	6XM16	43	57	50
400	105	330	136	362	6XM16	55	67	85
500	120	420	190	458	6XM16	60	79	145
630	135	545	252	586	6XM16	70	87	250

MANDRINO AUTOCENTRANTE MANUALE SELF-CENTERING SCROLL CHUCK

CORPO IN GHISA, ATTACCO FRONTALE, GRIFFE SCOMPOSTE
CAST IRON BODY, FRONT MOUNTING, 2-PIECE JAWS

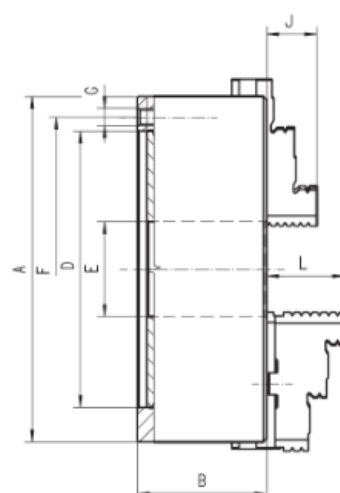
DISPONIBILE ANCHE IN ACCIAIO
STEEL VERSION ALSO AVAILABLE

3275 (3 GRIFFE SCOMPOSTE) (3 2-PIECE JAWS)



DIAMETRI DISPONIBILI: DA 125 A 3000_{mm}
AVAILABLE DIAMETERS: FROM 125 UP TO 3000_{mm}

3675 (4 GRIFFE SCOMPOSTE) (4 2-PIECE JAWS)



DIAMETRI DISPONIBILI: DA 125 A 3000_{mm}
AVAILABLE DIAMETERS: FROM 125 UP TO 3000_{mm}

Ø (A)	B	D H7	E	F	G	J	L	KG
125	56	95	32	108	3XM8	20	40	5
160	64.5	125	42	140	6XM10	32	43	10
200	75	160	55	176	6XM10	29	45	17.5
250	85	200	76	224	6XM12	34	53	29
315	94	260	103	286	6XM16	43	57	50
400	105	330	136	362	6XM16	55	67	85
500	120	420	190	458	6XM16	60	79	145
630	135	545	252	586	6XM16	70	87	250

MANDRINO AUTOCENTRANTE MANUALE SELF-CENTERING SCROLL CHUCK

CORPO IN GHISA, ATTACCO ASA (DIN 55026)

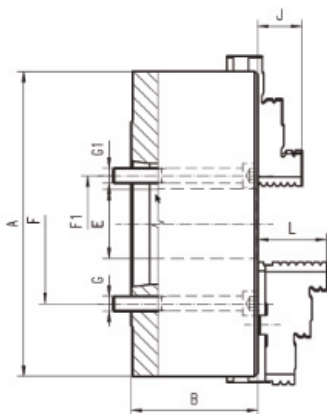
CAST IRON BODY, ASA MOUNT (DIN 55026)

DISPONIBILE ANCHE IN ACCIAIO
STEEL VERSION ALSO AVAILABLE

3214

(3 GRIFFE INTEGRALI)

(3 SOLID JAWS)

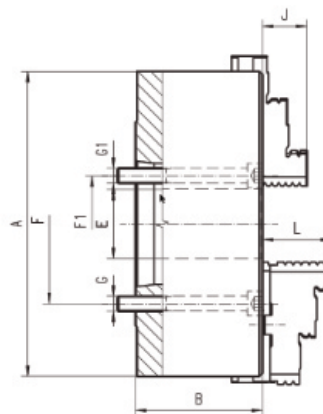


DIAMETRI DISPONIBILI: DA 200 A 3000mm
AVAILABLE DIAMETERS: FROM 200 UP TO 3000mm

3215

(3 GRIFFE SCOMPOSTE)

(3 2-PIECE JAWS)



DIAMETRI DISPONIBILI: DA 200 A 3000mm
AVAILABLE DIAMETERS: FROM 200 UP TO 3000mm

Ø (A)	NASO / SPINDLE	B	E	F	F1	G	G1	J	L	KG
200	5 A1	91	95.8	-	61.9	-	3XM10	29	45	19
200	6 A1	91	95.8	-	82.6	-	3XM12	29	45	19
250	6 A1	103.5	107.3	-	82.6	-	6XM12	34	53	32
250	8 A1	103.5	107.3	-	111.1	-	6XM16	34	53	32
315	6 A2	117.7	122.8	133.4	-	6XM12	-	43	57	55
315	8 A1	117.7	122.8	-	111.1	-	6XM16	43	57	55
400	8 A2	128.5	137.3	171.4	-	6XM16	-	55	67	92
400	11 A1	128.5	137.3	-	165.1	-	6XM16	55	67	92
500	8 A2	146	157.3	171.4	-	6XM16	-	60	79	160
500	11 A2	146	157.3	235	-	6XM20	-	60	79	160
630	11 A2	165	175.8	235	-	6XM20	-	70	87	285
630	15 A1	165	175.8	-	247.6	-	6XM24	70	87	285

MANDRINO AUTOCENTRANTE MANUALE SELF-CENTERING SCROLL CHUCK

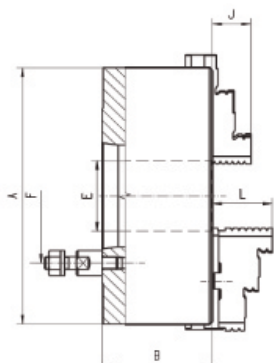
CORPO IN GHISA, ATTACCO BAIONETTA (DIN 55027)
CAST IRON BODY, BAYONET MOUNT (DIN 55027)

DISPONIBILE ANCHE IN ACCIAIO
STEEL VERSION ALSO AVAILAIBLE

3234

(3 GRIFFE INTEGRALI)

(3 SOLID JAWS)

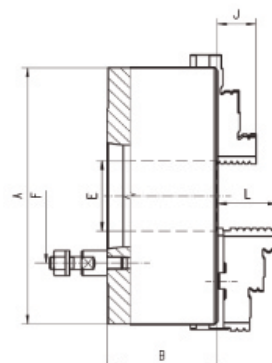


DIAMETRI DISPONIBILI: DA 125 A 3000_{mm}
AVAILABLE DIAMETERS: FROM 125 UP TO 3000_{mm}

3235

(3 GRIFFE SCOMPOSTE)

(3 2-PIECE JAWS)



DIAMETRI DISPONIBILI: DA 125 A 3000_{mm}
AVAILABLE DIAMETERS: FROM 125 UP TO 3000_{mm}

Ø (A)	NASO / SPINDLE	B	E	F	J	L	KG
125	3	70	32	75	20	40	5
125	4	70	32	85	20	40	5
160	4	81.5	42	85	32	43	9
160	5	81.5	42	104.8	32	43	9
200	5	91	55	104.8	29	45	19
200	6	103.5	55	133.4	34	53	32
250	6	103.5	76	133.4	34	53	32
250	8	103.5	76	171.4	34	53	32
315	6	117.7	103	133.4	43	57	51
315	8	117.7	103	171.4	43	57	51
315	11	140	103	235	43	57	51
400	8	128.5	136	171.4	55	67	101
400	11	128.5	136	235	55	67	101
500	8	146	136	171.4	60	79	150
500	11	146	190	235	60	79	150
630	11	165	190	235	70	87	274
630	15	165	252	330.2	70	87	274

MANDRINO AUTOCENTRANTE MANUALE SELF-CENTERING SCROLL CHUCK

CORPO IN GHISA, ATTACCO CAMLOCK (DIN 55029)

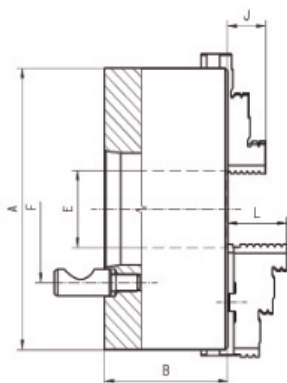
CAST IRON BODY, CAMLOCK MOUNT (DIN 55029)

DISPONIBILE ANCHE IN ACCIAIO
STEEL VERSION ALSO AVAILABLE

3244

(3 GRIFFE INTEGRALI)

(3 SOLID JAWS)

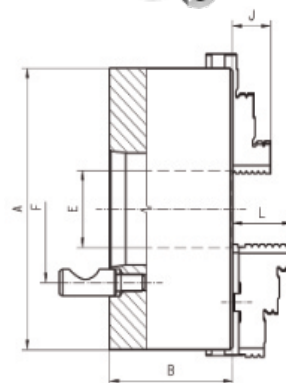


DIAMETRI DISPONIBILI: DA 125 A 3000mm
AVAILABLE DIAMETERS: FROM 125 UP TO 3000mm

3245

(3 GRIFFE SCOMPOSTE)

(3 2-PIECE JAWS)



DIAMETRI DISPONIBILI: DA 125 A 3000mm
AVAILABLE DIAMETERS: FROM 125 UP TO 3000mm

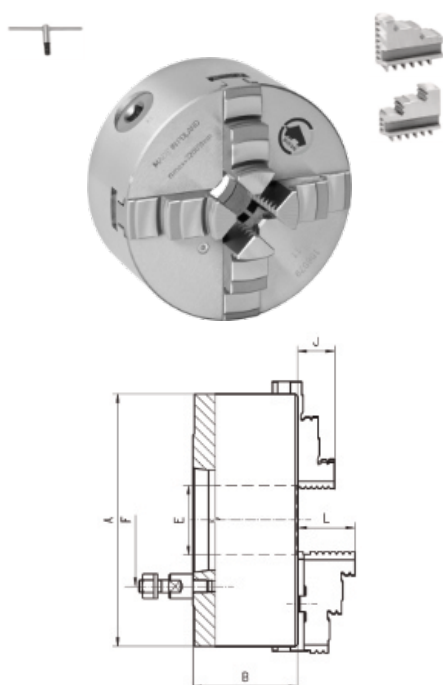
Ø (A)	NASO / SPINDLE	B	E	F	J	L	KG
125	3	70	32	70.6	20	40	5
125	4	70	32	82.6	20	40	5
160	3	81.5	42	70.6	32	43	9
160	4	81.5	42	82.6	32	43	9
160	5	81.5	42	104.8	32	43	9
200	4	91	51.5	82.6	29	45	19
200	5	91	55	104.8	29	45	19
200	6	91	55	133.4	29	45	19
250	6	103.5	76	133.4	34	53	32
250	8	103.5	76	171.4	34	53	32
315	6	117.7	103	133.4	43	57	51
315	8	117.7	103	171.4	43	57	51
315	11	125	103	235	43	57	51
400	8	128.5	136	171.4	55	67	101
400	11	128.5	136	235	55	67	101
500	8	146	136	171.4	60	79	150
500	11	146	190	235	60	79	150
630	11	165	190	235	70	87	274
630	15	165	252	330.2	70	87	274

MANDRINO AUTOCENTRANTE MANUALE SELF-CENTERING SCROLL CHUCK

CORPO IN GHISA, ATTACCO BAIONETTA (DIN 55027)
CAST IRON BODY, BAYONET MOUNT (DIN 55027)

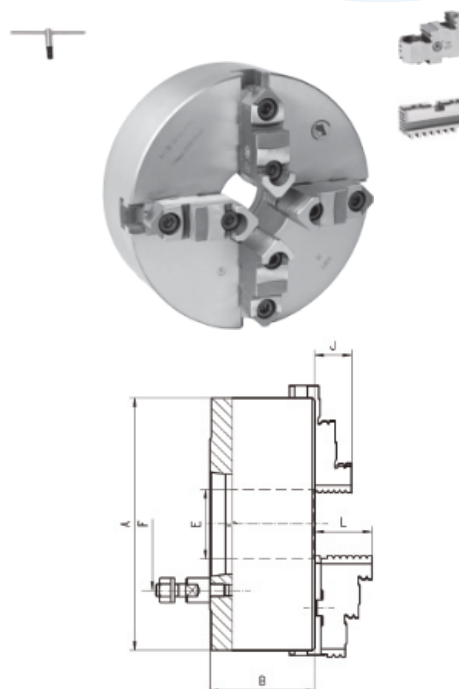
DISPONIBILE ANCHE IN ACCIAIO
STEEL VERSION ALSO AVAILABLE

3634 (4 GRIFFE INTEGRALI) (4 SOLID JAWS)



DIAMETRI DISPONIBILI: DA 125 A 3000_{mm}
AVAILABLE DIAMETERS: FROM 125 UP TO 3000_{mm}

3635 (4 GRIFFE SCOMPOSTE) (4 2-PIECE JAWS)



DIAMETRI DISPONIBILI: DA 125 A 3000_{mm}
AVAILABLE DIAMETERS: FROM 125 UP TO 3000_{mm}

Ø (A)	NASO / SPINDLE	B	E	F	J	L	KG
160	4	81.5	42	85	32	43	9
160	5	81.5	42	104.8	32	43	9
200	5	91	55	104.8	29	45	19
200	6	103.5	55	133.4	34	53	32
250	6	103.5	76	133.4	34	53	32
250	8	103.5	76	171.4	34	53	32
315	6	117.7	103	133.4	43	57	51
315	8	117.7	103	171.4	43	57	51
315	11	140	103	235	43	57	51
400	8	128.5	136	171.4	55	67	101
400	11	128.5	136	235	55	67	101
500	8	146	136	171.4	60	79	150
500	11	146	190	235	60	79	150
630	11	165	190	235	70	87	274
630	15	165	252	330.2	70	87	274

MANDRINO AUTOCENTRANTE MANUALE SELF-CENTERING SCROLL CHUCK

CORPO IN GHISA, ATTACCO CAMLOCK (DIN 55029)

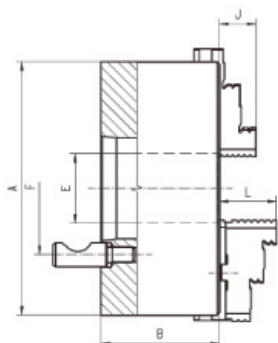
CAST IRON BODY, CAMLOCK MOUNT (DIN 55029)

DISPONIBILE ANCHE IN ACCIAIO
STEEL VERSION ALSO AVAILABLE

3644

(4 GRIFFE INTEGRALI)

(4 SOLID JAWS)

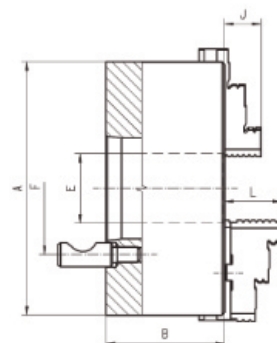


DIAMETRI DISPONIBILI: DA 125 A 3000_{mm}
AVAILABLE DIAMETERS: FROM 125 UP TO 3000_{mm}

3645

(4 GRIFFE SCOMPOSTE)

(4 2-PIECE JAWS)



DIAMETRI DISPONIBILI: DA 125 A 3000_{mm}
AVAILABLE DIAMETERS: FROM 125 UP TO 3000_{mm}

Ø (A)	NASO / SPINDLE	B	E	F	J	L	KG
160	4	81.5	42	82.6	32	43	9
160	5	81.5	42	104.8	32	43	9
200	4	91	51.5	82.6	29	45	19
200	5	91	55	104.8	29	45	19
200	6	91	55	133.4	29	45	19
250	6	103.5	76	133.4	34	53	32
250	8	103.5	76	171.4	34	53	32
315	6	117.7	103	133.4	43	57	51
315	8	117.7	103	171.4	43	57	51
315	11	125	103	235	43	57	51
400	8	128.5	136	171.4	55	67	101
400	11	128.5	136	235	55	67	101
500	8	146	136	171.4	60	79	150
500	11	146	190	235	60	79	150
630	11	165	190	235	70	87	274
630	15	165	252	330.2	70	87	274

MANDRINO AUTOCENTRANTE MANUALE SELF-CENTERING SCROLL CHUCK

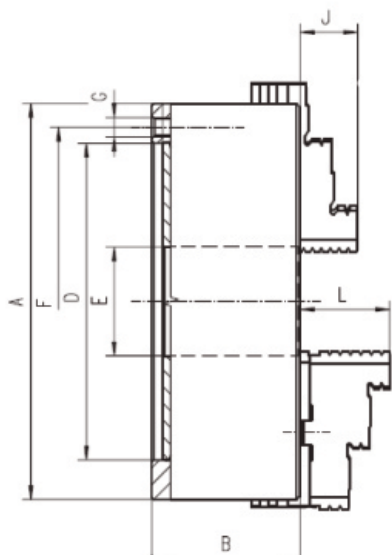
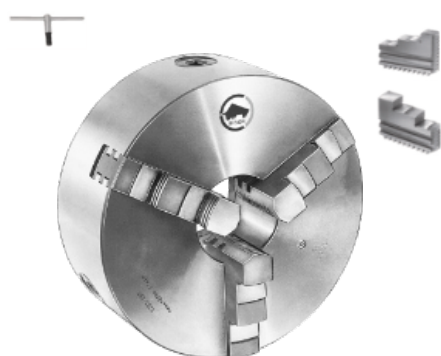
CORPO IN GHISA, ATTACCO FLANGIA, GRIFFE INTEGRALI A DOPPIA GUIDA
CAST IRON BODY, PLAIN BACK MOUNT, DOUBLE-GUIDE SOLID JAWS

DISPONIBILE IN ACCIAIO E/O CON ATTACCO FRONTALE
ALSO AVAILAIBLE IN STEEL AND/OR WITH FRONT MOUNTING

3202

(3 GRIFFE INTEGRALI)

(4 SOLID JAWS)

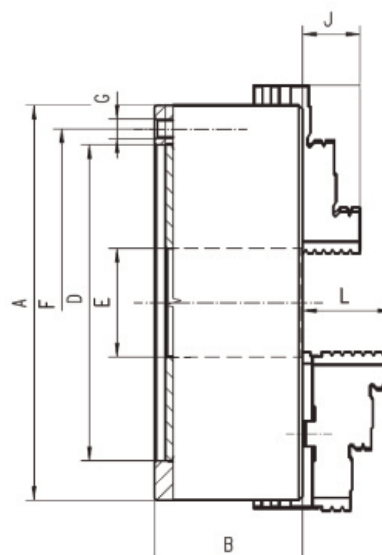
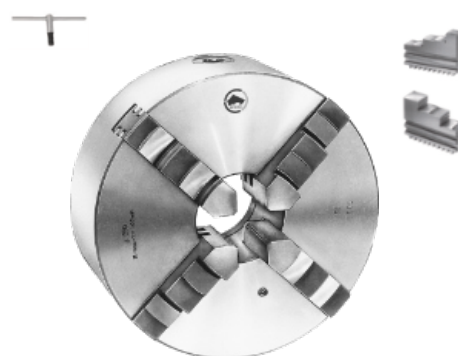


DIAMETRI DISPONIBILI: DA 160 A 3000mm
AVAILAIBLE DIAMETERS: FROM 160 UP TO 3000mm

3602

(4 GRIFFE INTEGRALI)

(4 SOLID JAWS)



DIAMETRI DISPONIBILI: DA 160 A 3000mm
AVAILAIBLE DIAMETERS: FROM 160 UP TO 3000mm

Ø (A)	B	D H7	E	F	G	J	L	KG
160	74,5	125	42	140	6XM10	25	43,1	10
200	83	160	55	176	6XM10	29	45	17,5
250	96	200	76	224	6XM12	34	53	29
315	111	260	103	286	6XM16	41,3	57	50
400	120	330	136	362	6XM16	56	67	85
500	140	420	190	458	6XM16	60	78,5	145
630	155	545	252	586	6XM16	70	87	265

MANDRINO AUTOCENTRANTE MANUALE SELF-CENTERING SCROLL CHUCK

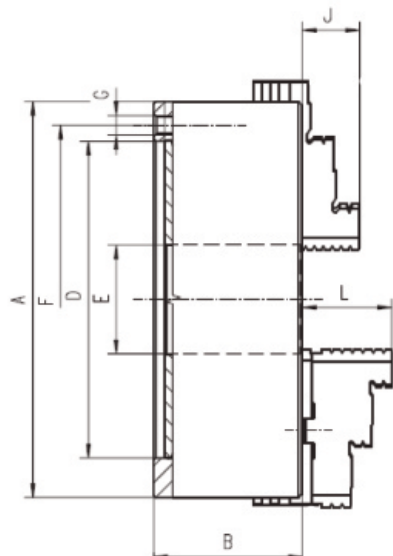
CORPO IN GHISA, ATTACCO FLANGIA, GRIFFE SCOMPOSTE A DOPPIA GUIDA
CAST IRON BODY, PLAIN BACK MOUNT, DOUBLE-GUIDE SOLID JAWS

DISPONIBILE IN ACCIAIO E/O CON ATTACCO FRONTALE
ALSO AVAILAIBLE IN STEEL AND/OR WITH FRONTAL MOUNTING

3203

(3 GRIFFE SCOMPOSTE)

(3 SOLID JAWS)

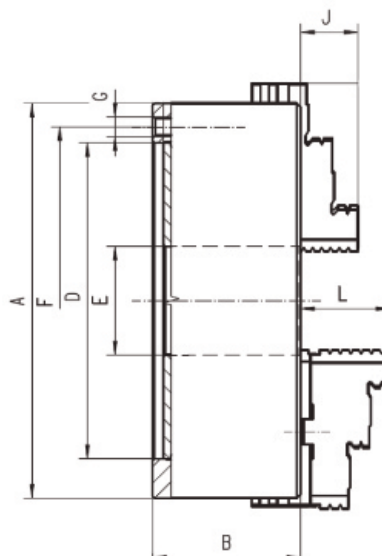


DIAMETRI DISPONIBILI: DA 160 A 3000mm
AVAILABLE DIAMETERS: FROM 160 UP TO 3000mm

3603

(4 GRIFFE SCOMPOSTE)

(4 SOLID JAWS)



DIAMETRI DISPONIBILI: DA 160 A 3000mm
AVAILABLE DIAMETERS: FROM 160 UP TO 3000mm

Ø (A)	B	D H7	E	F	G	J	L	KG
160	74,5	125	42	140	6XM10	25	43,1	10
200	83	160	55	176	6XM10	29	45	17,5
250	96	200	76	224	6XM12	34	53	29
315	111	260	103	286	6XM16	41,3	57	50
400	120	330	136	362	6XM16	56	67	85
500	140	420	190	458	6XM16	60	78,5	145
630	155	545	252	586	6XM16	70	87	265

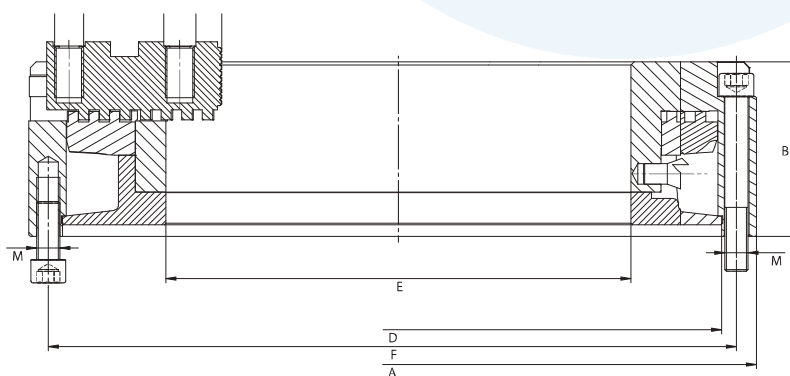
MANDRINO AUTOCENTRANTE MANUALE SELF-CENTERING SCROLL CHUCK

GRANDE PASSAGGIO BARRA, ATTACCO FLANGIA, 3 GRIFFE SCOMPOSTE
LARGE THROUGH HOLE, PLAIN BACK MOUNT, 3 2-PIECE JAWS

3295 (CORPO IN GHISA) (CAST IRON BODY)



DIAMETRI DISPONIBILI: DA 400 A 3000mm
AVAILABLE DIAMETERS: FROM 400 UP TO 3000mm

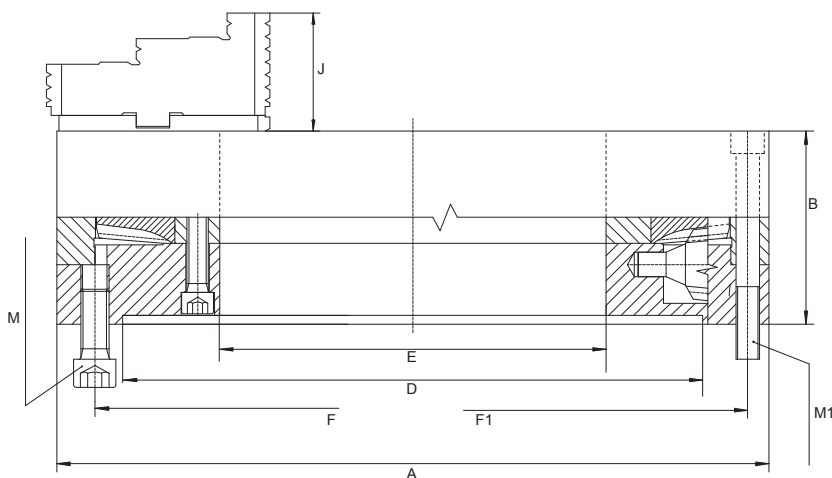


Ø (A)	B	D	E	F	M	KG
400	105	362	220	381	6XM12	57.7
508	120	462	320	481.5	6XM16	75.8
660	135	580	406	620	6XM16	128.9

3597 (CORPO IN ACCIAIO) (STEEL BODY)



DIAMETRI DISPONIBILI: DA 315 A 3000mm
AVAILABLE DIAMETERS: FROM 315 UP TO 3000mm



Ø (A)	B	D	E	F	F1	J	M	M1	KG
315	97	260	145	286	286	56.9	3XM16	3XM16	47
405	110	330	220	362	381	67	6XM16	6XM12	73
515	120	420	320	458	481.5	79	6XM16	6XM16	120
660	140	545	406	586	620	87	6XM16	6XM16	230

MANDRINO MANUALE CON GRIFFE INDIPENDENTI

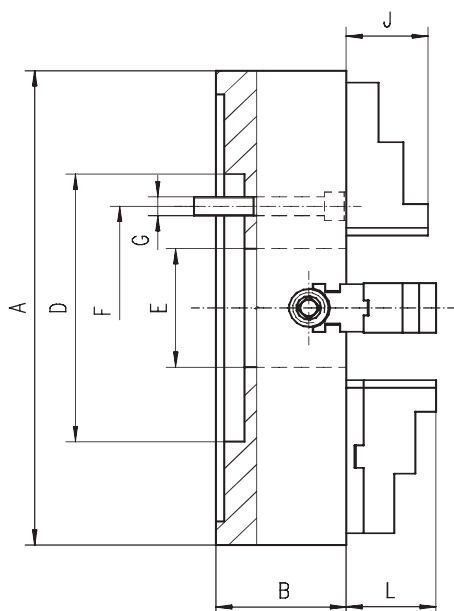
SCROLL CHUCK WITH INDEPENDENT JAWS

CORPO IN GHISA, ATTACCO FLANGIA
CAST IRON BODY, PLAIN BACK MOUNT

DISPONIBILE IN ACCIAIO
ALSO AVAILABLE IN STEEL

4304

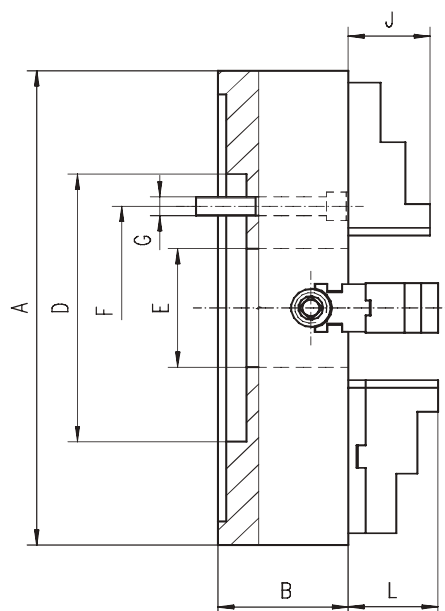
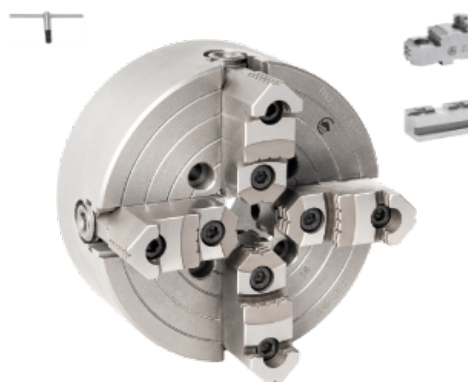
(4 GRIFFE INTEGRALI)
(4 SOLID JAWS)



DIAMETRI DISPONIBILI: DA 200 A 3000_{mm}
AVAILABLE DIAMETERS: FROM 200 UP TO 3000_{mm}

4305

(4 GRIFFE SCOMPOSTE)
(4 2-PIECE JAWS)



DIAMETRI DISPONIBILI: DA 200 A 3000_{mm}
AVAILABLE DIAMETERS: FROM 200 UP TO 3000_{mm}

Ø (A)	B	D	E	F	G	J	L	KG
200	80	110	50	82.6	4XM10	40.3	46.4	14
250	85	150	65	104.8	4XM12	40.3	60.4	25
315	95	175	80	133.4	4XM16	49.8	60.9	39
400	105	200	100	171.4	4XM16	49.8	72.3	61
500	120	270	125	235	4XM20	59.8	97.8	105
630	140	270	160	235	4XM20	59.8	97.8	163

MANDRINO MANUALE CON GRIFFE INDIPENDENTI

SCROLL CHUCK WITH INDEPENDENT JAWS

CORPO IN GHISA, ATTACCO ASA (DIN 55026)

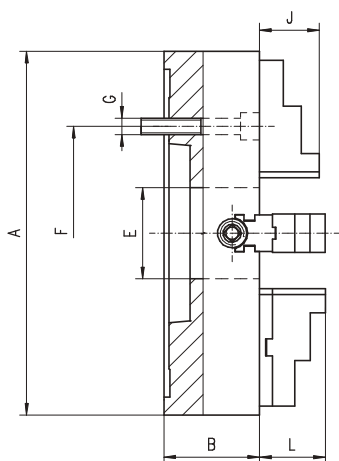
CAST IRON BODY, ASA MOUNT (DIN 55026)

DISPONIBILE IN ACCIAIO E/O CON ATTACCO FRONTALE
ALSO AVAILABLE IN STEEL AND/OR WITH FRONT MOUNTING

4314

(4 GRIFFE INTEGRALI)

(4 SOLID JAWS)

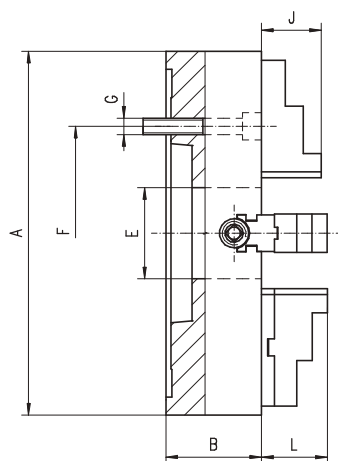


DIAMETRI DISPONIBILI: DA 200 A 3000_{mm}
AVAILABLE DIAMETERS: FROM 200 UP TO 3000_{mm}

4315

(4 GRIFFE SCOMPOSTE)

(4 2-PIECE JAWS)



DIAMETRI DISPONIBILI: DA 200 A 3000_{mm}
AVAILABLE DIAMETERS: FROM 200 UP TO 3000_{mm}

Ø (A)	NASO / SPINDLE	B	E	F	G	J	L	KG
200	5 A2	80	50	104.8	4XM10	40.3	46.4	17
200	6 A2	80	50	133.4	4XM12	40.3	46.4	17
250	6 A2	85	65	133.4	4XM12	40.3	60.4	25.5
250	8 A2	85	65	171.4	4XM16	40.3	60.4	25.5
315	6 A2	95	80	133.4	8XM12	49.8	60.9	40
400	8 A2	105	100	171.4	4XM16	49.8	72.3	65
400	11 A2	105	100	235	4XM20	49.8	72.3	65
500	8 A2	120	125	171.4	8XM16	59.8	97.8	114
500	11 A2	120	125	235	8XM20	59.8	97.8	114
630	11 A2	140	160	235	8XM20	59.8	97.8	165
630	15 A2	140	160	330.2	4XM24	59.8	97.8	165

MANDRINO MANUALE CON GRIFFE INDIPENDENTI

SCROLL CHUCK WITH INDEPENDENT JAWS

CORPO IN GHISA, ATTACCO BAIONETTA (DIN 55027)

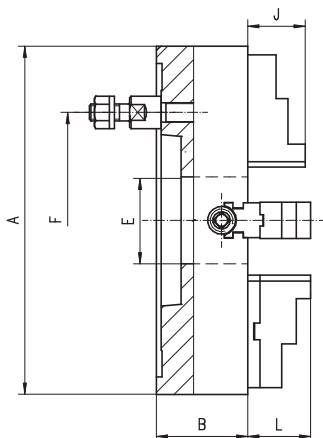
CAST IRON BODY, BAYONET MOUNT (DIN 55027)

DISPONIBILE IN ACCIAIO
ALSO AVAILAIBLE IN STEEL

4334

(4 GRIFFE INTEGRALI)

(4 SOLID JAWS)

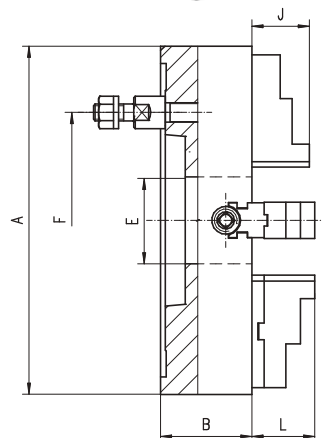


DIAMETRI DISPONIBILI: DA 200 A 3000_{mm}
AVAILAIBLE DIAMETERS: FROM 200 UP TO 3000_{mm}

4335

(4 GRIFFE SCOMPOSTE)

(4 2-PIECE JAWS)



DIAMETRI DISPONIBILI: DA 200 A 3000_{mm}
AVAILAIBLE DIAMETERS: FROM 200 UP TO 3000_{mm}

Ø (A)	NASO / SPINDLE	B	E	F	J	L	KG
200	5	80	50	104.8	40.3	46.4	16.5
200	6	80	50	133.4	40.3	46.4	16.5
250	5	85	65	104.8	40.3	60.4	27.5
250	6	85	65	133.4	40.3	60.4	27.5
250	8	85	65	171.4	40.3	60.4	27.5
315	6	95	80	133.4	49.8	60.9	39.5
315	8	95	80	171.4	49.8	60.9	39.5
315	11	105	80	235	49.8	60.9	39.5
400	6	105	100	133.4	49.8	72.3	30
400	8	105	100	171.4	49.8	72.3	60
400	11	120	100	235	49.8	72.3	60
500	8	120	125	171.4	59.8	97.8	95.5
500	11	120	125	235	59.8	97.8	95.5
630	8	140	125	171.4	59.8	97.8	165
630	11	140	160	235	59.8	97.8	165
630	15	140	160	330.2	59.8	97.8	165

MANDRINO MANUALE CON GRIFFE INDIPENDENTI

SCROLL CHUCK WITH INDEPENDENT JAWS

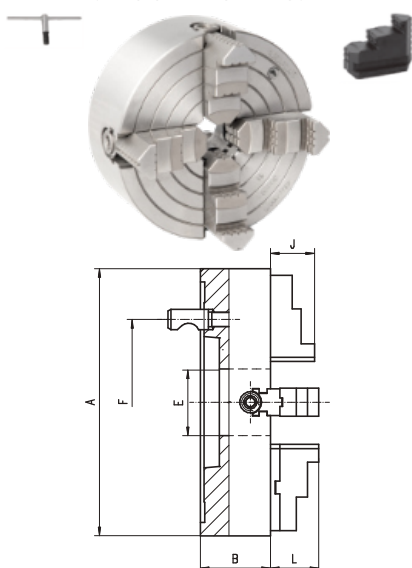
CORPO IN GHISA, ATTACCO CAMLOCK (DIN 55029)
CAST IRON BODY, CAMLOCK MOUNT (DIN 55029)

DISPONIBILE IN ACCIAIO E/O CON ATTACCO FRONTALE
ALSO AVAILAIBLE IN STEEL AND/OR WITH FRONT MOUNTING

4344

(4 GRIFFE INTEGRALI)

(4 SOLID JAWS)

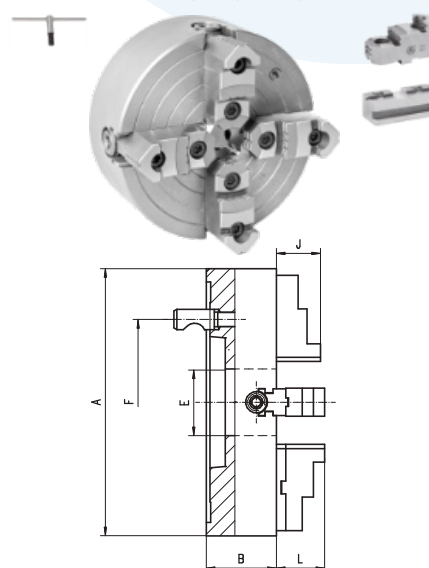


DIAMETRI DISPONIBILI: DA 200 A 3000mm
AVAILAIBLE DIAMETERS: FROM 200 UP TO 3000mm

4345

(4 GRIFFE SCOMPOSTE)

(4 2-PIECE JAWS)



DIAMETRI DISPONIBILI: DA 200 A 3000mm
AVAILAIBLE DIAMETERS: FROM 200 UP TO 3000mm

Ø (A)	NASO / SPINDLE	B	E	F	J	L	KG
200	3	80	50	70.6	40.3	46.4	16.5
200	4	80	50	82.6	40.3	46.4	16.5
200	5	80	50	104.8	40.3	46.4	16.5
200	6	80	50	133.4	40.3	46.4	16.5
250	3	85	50	70.6	40.3	60.4	27.5
250	4	85	60	82.6	40.3	60.4	27.5
250	5	85	65	104.8	40.3	60.4	27.5
250	6	85	65	133.4	40.3	60.4	27.5
250	8	85	65	171.4	40.3	60.4	27.5
315	5	95	80	104.8	49.8	60.9	39.5
315	6	95	80	133.4	49.8	60.9	39.5
315	8	95	80	171.4	49.8	60.9	39.5
315	11	95	80	235	49.8	60.9	39.5
400	6	105	100	133.4	49.8	72.3	60
400	8	105	100	171.4	49.8	72.3	60
400	11	105	100	235	49.8	72.3	60
500	8	120	125	171.4	59.8	97.8	95.5
500	11	120	125	235	59.8	97.8	95.5
500	15	120	125	330.2	59.8	97.8	95.5
630	8	140	125	171.4	59.8	97.8	165
630	11	140	160	235	59.8	97.8	165
630	15	140	160	330.2	59.8	97.8	165

MANDRINO MANUALE CON GRIFFE INDIPENDENTI

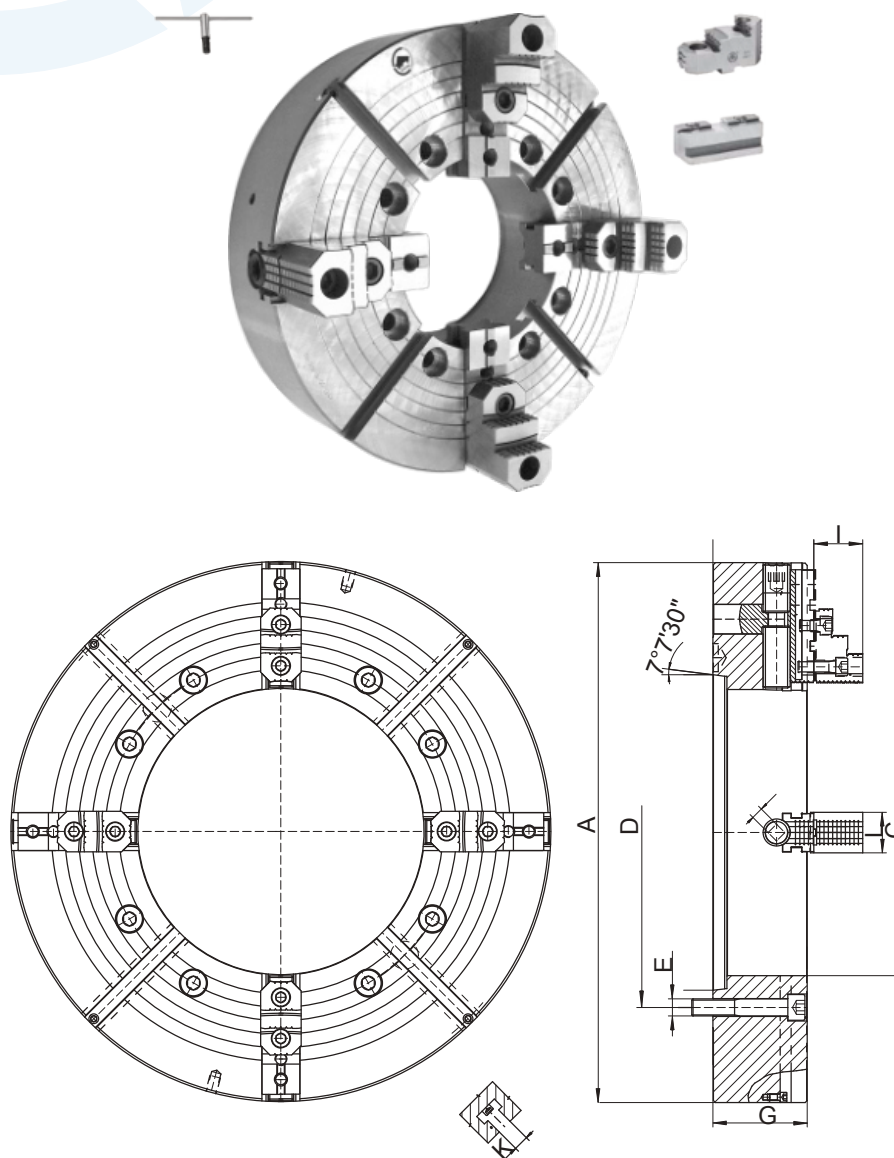
SCROLL CHUCK WITH INDEPENDENT JAWS

CORPO IN ACCIAIO, ATTACCO ASA (DIN 55029), GRANDE PASSAGGIO BARRA
STEEL BODY, ASA MOUNT (DIN 55029), LARGE THROUGH HOLE

4317 HD (HEAVY DUTY)

(4 GRIFFE SCOMPOSTE)

(4 2-PIECE JAWS)



DIAMETRI DISPONIBILI: DA 500 A 3000mm
AVAILABLE DIAMETERS: FROM 500 UP TO 3000mm

Ø (A)	NASO / SPINDLE	C	D	E	G	I	K	KG
500	11	168	235	8XM20	145	75.7	22	204
500	15	205	330.2	8XM24	145	75.7	22	188
630	15	270	330.2	8XM24	155	90.7	22	310
630	20	270	463.6	8XM24	155	90.7	22	295
630	20	320	463.6	8XM24	155	90.7	22	300

MANDRINO MANUALE CON GRIFFE COMBinate

SCROLL CHUCK WITH COMBINED JAWS

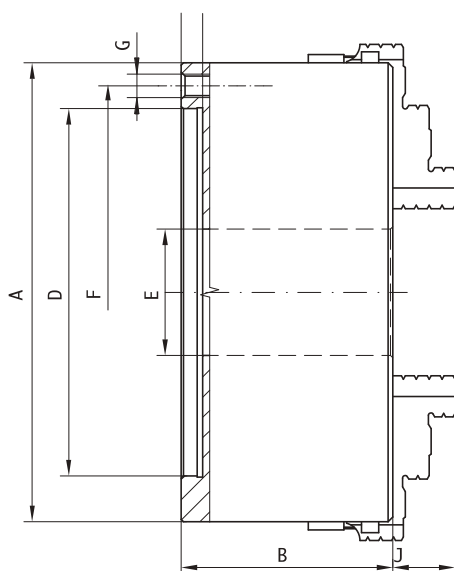
CORPO IN GHISA, ATTACCO FLANGIA, GRIFFE INTEGRALI AUTOCENTRANTI E INDIPENDENTI
CAST IRON BODY, PLAIN BACK MOUNT, SOLID SELF-CENTERING AND INDEPENDENT JAWS

DISPONIBILE IN ACCIAIO E/O CON ATTACCO FRONTALE
ALSO AVAILABLE IN STEEL AND/OR WITH FRONT MOUNTING

4505

(3 GRIFFE INTEGRALI)

(3 SOLID JAWS)

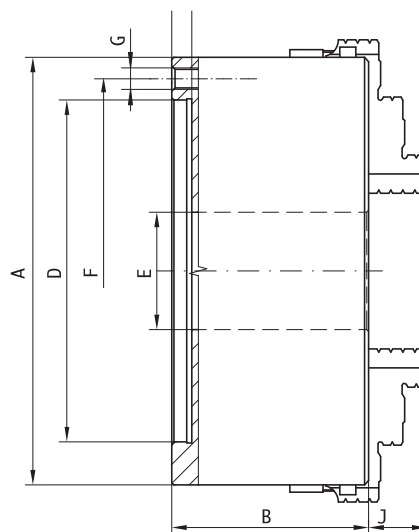


DIAMETRI DISPONIBILI: DA 200 A 3000_{mm}
AVAILABLE DIAMETERS: FROM 200 UP TO 3000_{mm}

4605

(4 GRIFFE INTEGRALI)

(4 SOLID JAWS)



DIAMETRI DISPONIBILI: DA 200 A 3000_{mm}
AVAILABLE DIAMETERS: FROM 200 UP TO 3000_{mm}

Ø (A)	B	D	E	F	G	J	KG
200	96	160	55	176	6XM10	31	23
250	102	200	76	224	6XM12	33	31
315	117	260	103	286	6XM16	41.5	55
400	123	330	136	362	6XM16	59	98
500	145	420	190	458	6XM16	61	170
630	160	545	252	586	6XM16	72	255

GRIFFE PER MANDRINO AUTOCENTRANTE MANUALE

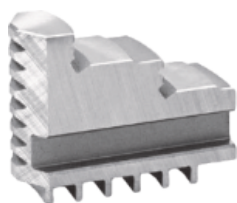
JAWS FOR MANUAL SELF-CENTERING CHUCK

GUIDA SINGOLA
SINGLE GUIDE

SJZ

**GRIFFE INTEGRALI
DRITTE**

OUTSIDE SOLID JAWS

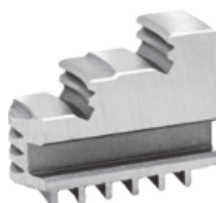


MANDRINO	DIAMETRO	N. GRIFFE
32**	80-3000	3
36**	125-3000	4
38**	200-3000	6

SJW

**GRIFFE INTEGRALI
ROVESCE**

INSIDE SOLID JAWS



MANDRINO	DIAMETRO	N. GRIFFE
32**	80-3000	3
36**	125-3000	4
38**	200-3000	6

SJM

**GRIFFE INTEGRALI
MORBIDE**

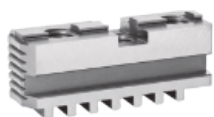
SOFT SOLID JAWS



MANDRINO	DIAMETRO	N. GRIFFE
32**	80-3000	3
36**	125-3000	4
38**	200-3000	6

SP

GRIFFE BASE
MASTER JAWS



MANDRINO	DIAMETRO	N. GRIFFE
32**	125-3000	3
36**	125-3000	4
38**	200-3000	6

SGT

BLOCCHETTI TEMPRATI
SOFT TOP JAWS



MANDRINO	DIAMETRO	N. GRIFFE
32**	125-3000	3
36**	125-3000	4
38**	200-3000	6

SGM

BLOCCHETTI MORBIDI
SOFT SOLID JAWS



MANDRINO	DIAMETRO	N. GRIFFE
32**	80-3000	3
36**	125-3000	4
38**	200-3000	6

GRIFFE PER MANDRINO AUTOCENTRANTE MANUALE

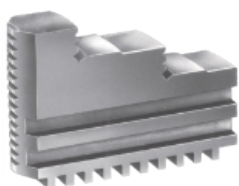
JAWS FOR MANUAL SELF-CENTERING CHUCK

DOPPIA GUIDA
DOUBLE GUIDE

SJZ

**GRIFFE INTEGRALI
DRITTE**

OUTSIDE SOLID JAWS

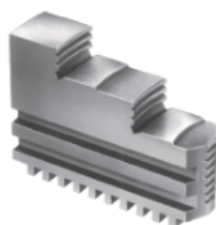


MANDRINO	DIAMETRO	N. GRIFFE
3202	160-3000	3
3602	160-3000	4

SJW

**GRIFFE INTEGRALI
ROVESCE**

INSIDE SOLID JAWS

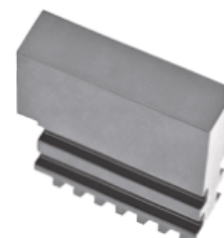


MANDRINO	DIAMETRO	N. GRIFFE
3202	160-3000	3
3602	160-3000	4

SJM

**GRIFFE INTEGRALI
MORBIDE**

SOFT SOLID JAWS

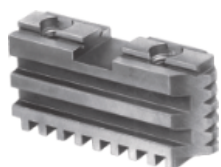


MANDRINO	DIAMETRO	N. GRIFFE
3202	160-3000	3
3602	160-3000	4

SP

GRIFFE BASE

MASTER JAWS



MANDRINO	DIAMETRO	N. GRIFFE
3203	160-3000	3
3603	160-3000	4

SGT

BLOCCHETTI TEMPRATI

SOFT TOP JAWS



MANDRINO	DIAMETRO	N. GRIFFE
32**	160-3000	3
36**	160-3000	4

SGM

BLOCCHETTI MORBIDI

SOFT SOLID JAWS



MANDRINO	DIAMETRO	N. GRIFFE
32**	160-3000	3
36**	160-3000	4

GRIFFE PER MANDRINO INDIPENDENTE MANUALE

JAWS FOR MANUAL INDEPENDENT CHUCK

SJT

GRIFFE INTEGRALI TEMPRATE

HARD SOLID JAWS



MANDRINO	DIAMETRO	N. GRIFFE
43**	200-3000	4

SJM

GRIFFE INTEGRALI MORBIDE

SOFT SOLID JAWS



MANDRINO	DIAMETRO	N. GRIFFE
43**	200-3000	4

SGM

BLOCCHETTI MORBIDI

SOFT SOLID JAWS



MANDRINO	DIAMETRO	N. GRIFFE
43**	200-3000	4

SP

GRIFFE BASE MASTER JAWS



MANDRINO	DIAMETRO	N. GRIFFE
43**	200-3000	4

SGT

BLOCCHETTI TEMPRATI HARD TOP JAWS



MANDRINO	DIAMETRO	N. GRIFFE
43**	200-3000	4

GRIFFE PER MANDRINO COMBINATO MANUALE

JAWS FOR MANUAL COMBINED CHUCK

SJT

GRIFFE INTEGRALI TEMPRATE

HARD SOLID JAWS



MANDRINO	DIAMETRO	N. GRIFFE
4505	200-3000	3
4605	200-3000	4

SJM

GRIFFE INTEGRALI MORBIDE

SOFT SOLID JAWS



MANDRINO	DIAMETRO	N. GRIFFE
4505	200-3000	3
4605	200-3000	4

SP

GRIFFE BASE MASTER JAWS



MANDRINO	DIAMETRO	N. GRIFFE
4505	200-3000	3
4605	200-3000	4

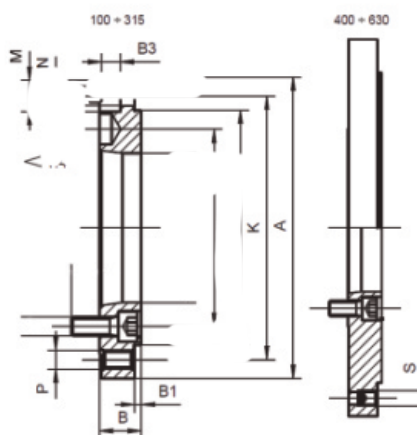
FLANGE - DIN 55026 (ASA)

ADAPTER PLATES - DIN 55026 (ASA)

DISPONIBILI ANCHE IN VERSIONE GREZZA E SEMI-FINITA (CENTRAGGIO DA COMPLETARE)
ALSO AVAILABLE IN NOT-FINISHED AND SEMI-FINISHED (CENTERING TO BE COMPLETED) VERSION

8210-X

FLANGIA PER MANDRINI AUTOCENTRANTI
ADAPTER PLATE FOR SELF-CENTERING CHUCKS

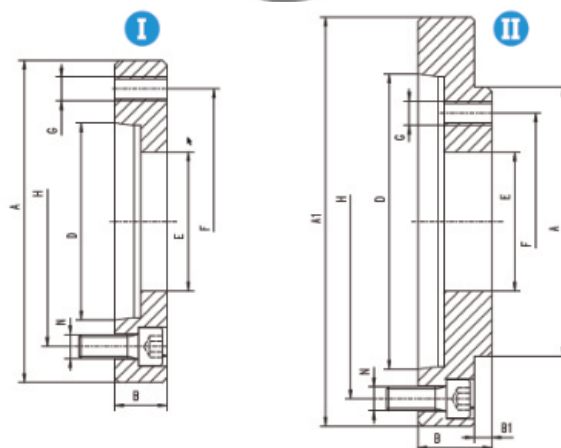


DIAMETRI DISPONIBILI: DA 125 A 3000_{mm}
AVAILABLE DIAMETERS: FROM 125 UP TO 3000_{mm}

Ø	1:4	B	B1	G (H6)	K	P	KG
125	3	22	3.5	95	108	3XM8	1.4
160	4	22	3.5	125	140	3XM10	2.2
160	5	22	3.5	125	140	3XM10	1.9
200	5	22	3.5	160	176	3XM10	3.6
200	6	22	3.5	160	176	3XM10	3.1
250	5	28	4.5	200	224	3XM12	7.7
250	6	28	4.5	200	224	3XM12	7.1
250	8	28	4.5	200	224	3XM12	5.9
315	6	28	4.5	260	286	3XM16	14.6
315	8	33	4.5	260	286	3XM16	13.2
315	11	33	4.5	260	286	6XM16	12
400	8	36	4.5	330	362	6XM16	26
400	11	36	4.5	330	362	6XM16	22.5
500	8	36	4.5	420	458	6XM16	43.4
500	11	36	4.5	420	458	6XM16	39.9
500	15	36	4.5	420	458	6XM16	31.6
630	11	42	6	545	586	6XM16	79.7
630	15	42	6	545	586	6XM16	79.1

8217

FLANGIA PER MANDRINI INDIPENDENTI
ADAPTER PLATE FOR INDEPENDENT CHUCKS



DIAMETRI DISPONIBILI: DA 200 A 3000_{mm}
AVAILABLE DIAMETERS: FROM 200 UP TO 3000_{mm}

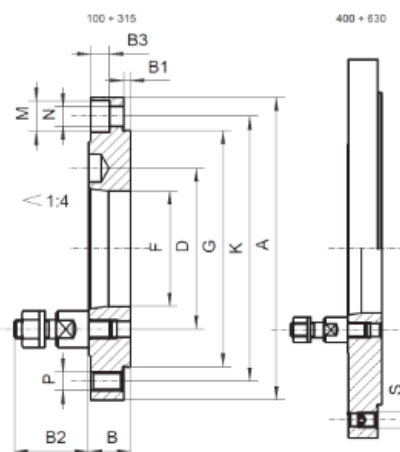
Ø	1:4	Z	B	B1	A (H6)	H	N	KG
200	5	II	38	5.5	110	104.8	6XM10	2.8
200	6	II	32	5.5	110	133.4	6XM12	3.5
250	6	II	40	7.5	150	133.4	6XM12	4.4
250	8	II	38	7.5	150	171.4	6XM16	6.5
315	6	I	35	-	175	133.4	8XM12	4.5
315	8	II	52	7.5	175	171.4	6XM16	9.5
315	11	II	49	7.5	175	235	6XM20	14
400	6	I	35.5	-	200	133.4	6XM12	3.7
400	8	I	35.5	-	200	171.4	6XM16	3.7
400	11	II	45.5	10.5	200	235	6XM20	6.1
400	15	II	52.5	10.5	200	330.2	6XM24	8.4
500	6	I	35.5	-	270	133.4	6XM12	13.5
500	8	I	35.5	-	270	171.4	6XM16	14
500	11	I	45.5	-	270	235	6XM20	14
500	15	II	52.5	12.5	270	330.2	6XM24	15.8
630	8	I	38	-	270	171.4	6XM16	15.8
630	11	I	38	-	270	235	6XM20	13.3
630	15	II	54.5	12.5	270	330.2	6XM24	13.3

FLANGE - DIN 55027 (BAIONETTA) ADAPTER PLATES - DIN 55027 (BAYONET)

DISPONIBILI ANCHE IN VERSIONE GREZZA E SEMI-FINITA (CENTRAGGIO DA COMPLETARE)
ALSO AVAILABLE IN NOT-FINISHED AND SEMI-FINISHED (CENTERING TO BE COMPLETED) VERSION

8230-X

FLANGIA PER MANDRINI AUTOCENTRANTI
ADAPTER PLATE FOR SELF-CENTERING CHUCKS

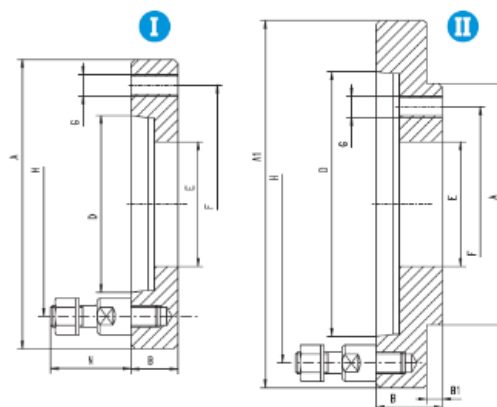


DIAMETRI DISPONIBILI: DA 160 A 3000mm
AVAILABLE DIAMETERS: FROM 160 UP TO 3000mm

Ø	1:4	B	B1	G (H6)	K	P	KG
160	4	22	3.5	125	140	6XM10	2.5
160	5	22	3.5	125	140	6XM10	2.2
160	6	22	3.5	125	140	6XM10	1.9
200	5	22	3.5	160	176	6XM10	3.9
200	6	22	3.5	160	176	6XM10	3.6
250	6	28	4.5	200	224	6XM12	7.6
250	8	28	4.5	200	224	6XM12	6.7
315	6	33	4.5	260	286	6XM16	15.1
315	8	33	4.5	260	286	6XM16	14.0
315	11	33	4.5	260	286	6XM16	12.2
400	8	36	4.5	330	362	6XM16	26.9
400	11	36	4.5	330	362	6XM16	24.7
500	11	36	4.5	420	458	6XM16	42.1
500	15	36	4.5	420	458	6XM16	35.7
630	11	42	4.5	420	586	6XM16	81.9

8237

FLANGIA PER MANDRINI INDIPENDENTI
ADAPTER PLATE FOR INDEPENDENT CHUCKS



DIAMETRI DISPONIBILI: DA 200 A 3000mm
AVAILABLE DIAMETERS: FROM 200 UP TO 3000mm

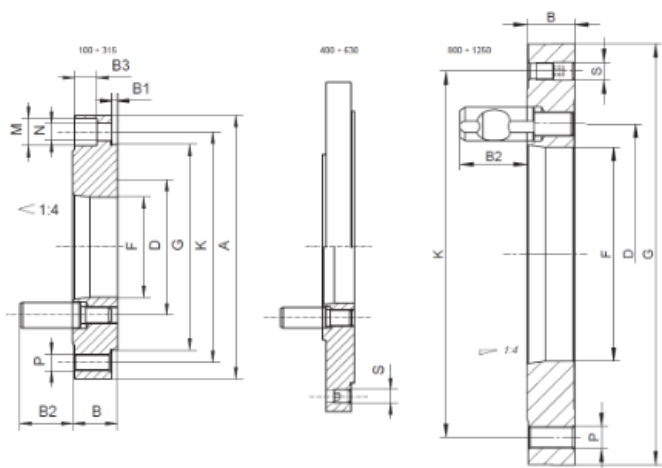
Ø	1:4	Z	B	B1	A (H6)	H	N	KG
200	5	II	34	5.5	110	104.8	43	2.8
200	6	II	34	5.5	110	133.4	50	4.4
250	6	II	45	7.5	150	133.4	50	6.2
250	8	II	38	7.5	150	171.4	60	8.2
315	6	I	33	-	175	133.4	50	4.6
315	8	II	52	7.5	175	171.4	60	11.7
315	11	II	49	7.5	175	235	75	16.2
400	8	I	28	11	200	171.4	60	5.1
400	11	II	45	11	200	235	75	16.4
500	8	I	30	-	270	171.4	60	10.2
500	11	I	45.5	-	270	235	75	14
500	15	II	52.5	12.5	270	330.2	90	15.8
630	8	I	38	-	270	171.4	60	15.8
630	11	I	38	-	270	235	75	13.3
630	15	II	54.5	12.5	270	330.2	90	13.3

FLANGE - DIN 55029 (CAMLOCK) ADAPTER PLATES - DIN 55029 (CAMLOCK)

DISPONIBILI ANCHE IN VERSIONE GREZZA E SEMI-FINITA (CENTRAGGIO DA COMPLETARE)
ALSO AVAILABLE IN NOT-FINISHED AND SEMI-FINISHED (CENTERING TO BE COMPLETED) VERSION

8240-X

FLANGIA PER MANDRINI AUTOCENTRANTI
ADAPTER PLATE FOR SELF-CENTERING CHUCKS

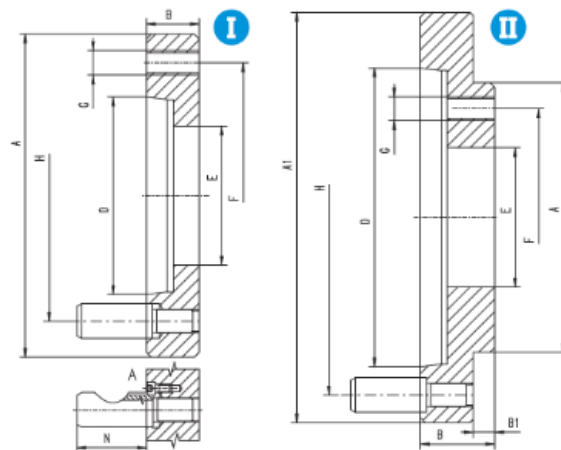


DIAMETRI DISPONIBILI: DA 125 A 3000_{mm}
AVAILABLE DIAMETERS: FROM 125 UP TO 3000_{mm}

Ø	1:4	B	B1	G (H6)	K	P	KG
125	4	26	3.5	95	108	6XM8	1.5
160	3	27	3.5	125	140	6XM10	3.1
160	4	27	3.5	125	140	6XM10	2.9
160	5	30	3.5	125	140	6XM10	3
200	4	27	3.5	160	176	6XM10	4.9
200	5	30	3.5	160	176	6XM10	4.8
200	6	36.5	3.5	160	176	6XM10	5.9
250	6	36.5	4.5	200	224	6XM12	8.7
250	8	39	4.5	200	224	6XM12	9.4
315	6	39	4.5	260	286	6XM16	17.4
315	8	39	4.5	260	286	6XM16	15.9
315	11	47	4.5	260	286	6XM16	16.3
400	8	39	4.5	330	362	6XM16	27.4
400	11	47	4.5	330	362	6XM16	27.4
500	11	47	4.5	420	458	6XM16	44.5
630	11	47	6	545	586	6XM16	74.5

8247

FLANGIA PER MANDRINI INDIPENDENTI
ADAPTER PLATE FOR INDEPENDENT CHUCKS



DIAMETRI DISPONIBILI: DA 200 A 3000_{mm}
AVAILABLE DIAMETERS: FROM 200 UP TO 3000_{mm}

Ø	1:4	Z	B	B1	A (H6)	H	N	KG
200	5	II	42	5.5	110	104.8	38.2	4.5
200	6	II	40	5.5	110	133.4	44.2	6.5
250	6	II	50	7.5	150	133.4	44.2	8
250	8	II	46	7.5	150	171.4	50.7	11
315	6	II	70	7.5	175	133.4	44.2	11.2
315	8	II	60	7.5	175	171.4	50.7	14.7
315	11	II	50	7.5	175	235	60.6	19.4
400	8	II	70	10.5	200	171.4	50.7	16.5
400	11	II	60	10.5	200	235	60.6	23.8
500	8	I	38	-	270	171.4	50.7	13
500	11	II	45	12.5	270	235	60.6	14.3
630	11	II	50	12.5	270	235	60.6	39.5

TZ CORONA SCROLL PLATE



PER MANDRINI AUTOCENTRANTI, DIAMETRO DA 80 A 630_{mm}
FOR SELF-CENTERING CHUCKS, DIAMETER BETWEEN 80 AND 630_{mm}

ŚP MADREVITE OPERATING SCREW



PER MANDRINI INDIPENDENTI, DIAMETRO DA 200 A 630_{mm}
FOR INDEPENDENT CHUCKS, DIAMETER BETWEEN 200 AND 630_{mm}

KL CHIAVE WRENCH



PER TUTTI I MANDRINI MANUALI, DIAMETRO DA 80 A 630_{mm}
DISPONIBILE ANCHE CON ASTA SCORREVOLE
FOR ALL MANUAL CHUCKS, DIAMETER BETWEEN 200 AND 630_{mm}
ALSO AVAILABLE WITH SLIDING ROD

STOPBARR



CAMPO DI REGOLAZIONE ADJUSTMENT RANGE	
mm	POLLICI / INCHES
19-24	3/4" - 15/16"
24-33	15/16" - 1 5/16"
32-41	1 1/4" - 1 5/8"
41-52	1 5/8" - 2 1/16"
51-62	2" - 2 7/16"
62-82	2 7/16" - 3 1/4"
73-93	2 7/8" - 3 11/16"
93-120	3 11/16" - 4 23/32"
117-146	4 5/8" - 5 3/4"

ACCESSORI ACCESSORIES



PER MANDRINI AUTOCENTRANTI, DIAMETRO DA 80 A 630_{mm}
FOR SELF-CENTERING CHUCKS, DIAMETER BETWEEN 80 AND 630_{mm}



ŚP MADREVITE OPERATING SCREW

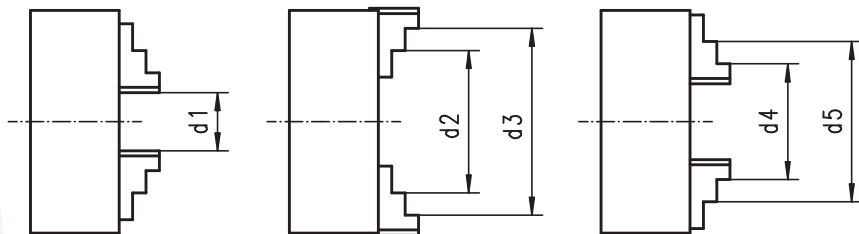
PER MANDRINI COMBINATI, DIAMETRO DA 200 A 630_{mm}
FOR COMBINED CHUCKS, DIAMETER BETWEEN 200 AND 630_{mm}



KK COLONNETTA STUD

PER MANDRINI AUTOCENTRANTI E COMBINATI
DIAMETRO DA 200 A 630_{mm}
FOR SELF-CENTERING AND COMBINED CHUCKS
DIAMETER BETWEEN 200 AND 630_{mm}

CAMPO DI SERRAGGIO CLAMPING RANGE



32*4 / 36*4

SIA GHISA CHE ACCIAIO
BOTH CAST IRON AND STEEL



Ø (mm)	D1	D2	D3	D4	D5	INGOMBRO MAX
80	2-27	25-50	48-71	22-46	45-69	90
100	3-33	32-62	62-93	25-56	56-87	117
125	3-50	39-83	80-125	34-74	72-115	151
160	3-64	50-107	98-160	42-100	94-154	204
200	4-90	60-145	130-200	52-135	120-202	246
250	5-118	77-188	160-250	62-174	145-256	306
315	10-131	90-215	190-315	78-200	172-299	384
400	10-180	103-272	230-400	85-252	210-380	472
500	20-235	140-357	276-500	120-335	245-476	600
630	30-335	180-487	345-630	160-465	325-630	770

32*5 / 36*5

SIA GHISA CHE ACCIAIO
BOTH CAST IRON AND STEEL



Ø (mm)	D1	D2	D3	D4	D5	INGOMBRO MAX
125	3-50	52-96	95-125	34-76	75-118	151
160	3-64	62-121	115-160	42-97	88-146	204
200	4-90	72-156	133-200	50-130	105-190	246
250	5-118	86-197	160-250	58-165	125-235	306
315	10-131	103-226	190-315	65-182	145-265	384
400	10-180	127-294	230-400	72-228	165-329	472
500	20-235	110-400	190-500	120-410	200-485	600
630	30-335	120-570	200-630	140-590	210-630	770

38*4

SIA GHISA CHE ACCIAIO
BOTH CAST IRON AND STEEL



Ø (mm)	D1	D2	D3	D4	D5	INGOMBRO MAX
200	4-90	60-145	130-200	52-135	120-202	246
250	5-118	77-188	160-250	62-174	145-256	306
315	10-131	90-215	190-315	78-200	172-299	384
400	10-180	103-272	230-400	85-252	210-380	472
500	20-235	140-357	276-500	120-335	245-476	600
630	30-335	180-487	345-630	160-465	325-630	770

38*5

SIA GHISA CHE ACCIAIO
BOTH CAST IRON AND STEEL



Ø (mm)	D1	D2	D3	D4	D5	INGOMBRO MAX
200	4-90	60-145	130-200	52-135	120-202	246
250	5-118	77-188	160-250	62-174	145-256	306
315	10-131	90-215	190-315	78-200	172-299	384
400	10-180	103-272	230-400	85-252	210-380	472
500	20-235	140-357	276-500	120-335	245-476	600
630	30-335	180-487	345-630	160-465	325-630	770

3295

GHISA
CAST IRON



Ø (mm)	CAMPO DI SERRAGGIO CLAMPING RANGE (mm)
408	138-256
508	250-380
660	376-497

3597

ACCIAIO
STEEL



Ø (mm)	CAMPO DI SERRAGGIO CLAMPING RANGE (mm)
315	40-315
405	138-406
515	264-516
660	349-630

4505 / 4605

SIA GHISA CHE ACCIAIO
BOTH CAST IRON AND STEEL



Ø (mm)	D1 min	D3 max	INGOMBRO MAX
200	4	200	240
250	5	250	300
315	10	315	370
400	15	400	470
500	20	500	575
630	30	630	725

43**

SIA GHISA CHE ACCIAIO
BOTH CAST IRON AND STEEL



Ø (mm)	D1 min	D3 max	INGOMBRO MAX
200	10	200	235
250	10	250	296
315	15	315	369
400	20	400	465
500	45	500	570
630	50	630	720

4317

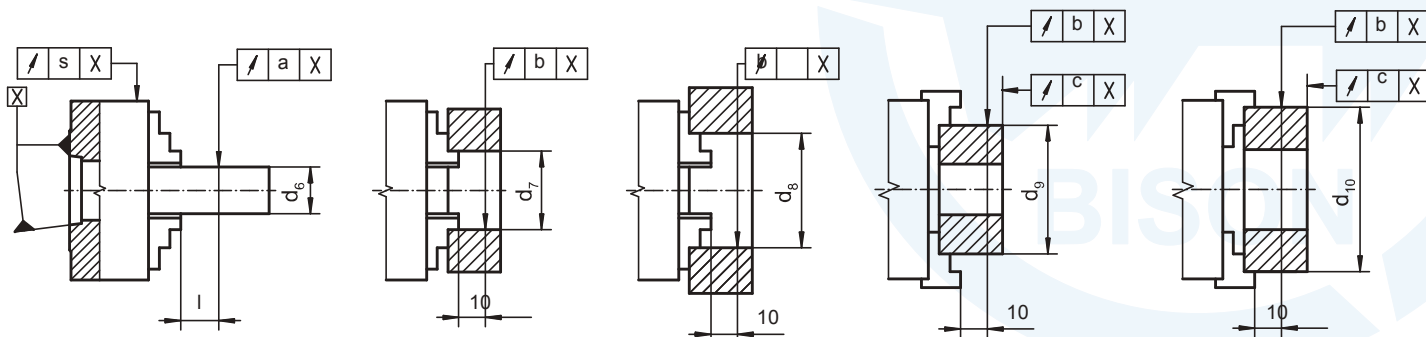
ACCIAIO
STEEL



Ø (mm)	CAMPO DI SERRAGGIO CLAMPING RANGE (mm)
500	45-500
630	50-630

ACCURATEZZA DI CENTRAGGIO

CENTERING ACCURACY



32** / 36**



\emptyset (mm)	l	d6	d7	d8	d9	d10	a	b	c	s
80	40	10-14	40	60	35	63	0.030	0.025	0.015	0.020
100	40	10-18	40	75	50	80	0.030	0.025	0.015	0.020
125	60	18-30	50	100	62	100/120	0.030	0.035	0.020	0.030
160	60	18-40	50	135	88	100/150	0.030	0.035	0.020	0.030
200	80	30-53	80	162	96	160/185	0.040	0.045	0.025	0.040
250	80	30-75	80	200	150	160/225	0.040	0.045	0.025	0.040
315	120	53-100	125	252	210	250/300	0.050	0.055	0.030	0.050
400	120	53-125	125	282	250	250/350	0.060	0.065	0.030	0.060
500	160	75-125	200	282	300	400	0.100	0.100	0.050	0.100
630	160	75-160	200	325	400	400	0.100	0.100	0.050	0.100

38**



\emptyset (mm)	l	d6	d7	d8	d9	d10	a	b	c	s
200	80	30-53	80	162	96	160/185	0.040	0.045	0.025	0.040
250	80	30-75	80	200	150	160/225	0.040	0.045	0.025	0.040
315	120	53-100	125	252	210	250/300	0.050	0.055	0.030	0.050
400	120	53-125	125	282	250	250/350	0.060	0.065	0.030	0.060
500	160	75-125	200	282	300	400	0.100	0.075	0.050	0.100
630	160	75-160	200	325	400	400	0.100	0.100	0.050	0.100

VELOCITÀ MASSIME DI ROTAZIONE MAXIMUM ROTATION SPEEDS

32** / 36**

GHISA
CAST IRON

Ø (mm)	rpm
80	5000
100	4500
125	4000
160	3600
200	3000
250	2500
315	2000
400	1600
500	1000
630	800

38**

GHISA
CAST IRON

Ø (mm)	rpm
200	2000
250	1500
315	1200
400	800
500	600
630	500

43**

GHISA
CAST IRON

Ø (mm)	rpm
200	2000
250	1500
315	1200
400	800
500	600
630	500

4505 / 4605

GHISA
CAST IRON

Ø (mm)	rpm - 4505	rpm - 4605
200	2500	2000
250	2000	1800
315	1500	1200
400	1000	800
500	700	600
630	540	480

VUOI VELOCITÀ MAGGIORI? CONTATTACI PER LE VERSIONI IN ACCIAIO

NEED MORE SPEED? CONTACT US FOR THE STEEL VERSION

FORZE DI SERRAGGIO TOTALI TOTAL CLAMPING FORCES

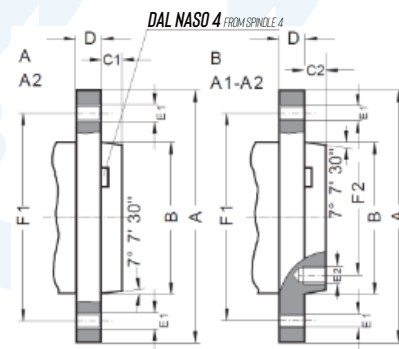
32**
36**
38**
4505
4605

Ø (mm)	COPPIA SULLA CHIAVE (N.m) TORQUE ON THE WRENCH (N.m)	FORZA DI SERRAGGIO TOTALE (daN) TORQUE ON THE WRENCH (daN)
80	35	1000
100	50	1700
125	75	2400
160	120	3100
200	160	3700
250	180	4600
315	200	5500
400	280	6500
500	360	7200
630	460	8000

NASI MACCHINA SPINDLE NOSES

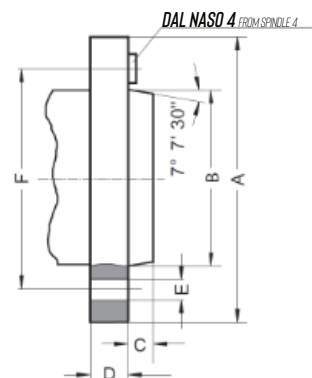
DIN 55026 - ASA

NASO / SPINDLE	A	B max	C1	C2	D	E1 (DIN)	E1 (ISO)	F1	E2 (DIN)	E2 (ISO)	F2
3	92	53.983	11	-	16	3XM10	-	70.6	-	-	-
4	108	63.521	11	-	20	11XM10	-	82.6	-	-	-
5	133	82.573	13	14.288	22	11XM10	-	104.8	8XM10	-	61.9
6	165	106.385	14	15.875	25	11XM12	-	133.4	8XM12	-	82.6
8	210	139.731	16	17.462	28	11XM16	-	171.4	8XM16	-	111.1
11	280	196.883	18	19.050	35	11XM20	11XM18	235	8XM20	8XM18	165.1
15	380	285.791	19	20.638	42	12XM24	11XM22	330.2	11XM24	11XM22	247.6
20	520	412.795	21	22.225	48	12XM24	-	463.6	11XM24	-	368.3
28	725	584.248	24	25.400	56	12XM30	-	647.6	11XM30	-	530.2



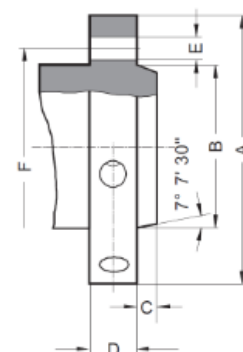
DIN 55027 - BAIONETTA BAYONET

NASO / SPINDLE	A	B max	C	D	E	F
3	102	53.983	11	16	3X21	75
4	112	63.521	11	20	3X21	85
5	135	82.573	13	22	4X21	104.8
6	170	106.385	14	25	4X23	133.4
8	220	139.731	16	28	4X29	171.4
11	290	196.883	18	35	6X36	235
15	400	285.791	19	42	6X43	330.2
20	540	412.795	21	48	6X43	463.6



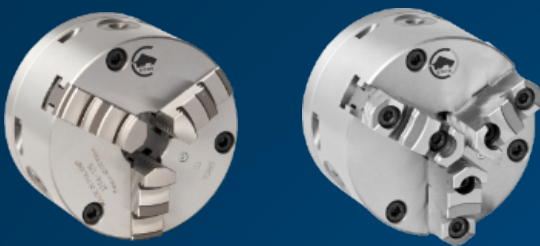
DIN 55029 - CAMLOCK

NASO / SPINDLE	A	B max	C	D	E	F
3	92	53.983	11	32	3X15.1	70.6
4	117	63.521	11	34	3X16.7	82.6
5	146	82.573	13	38	6X19.8	104.8
6	181	106.385	14	45	6X23.0	133.4
8	225	139.731	16	50	6X26.2	171.4
11	298	196.883	18	60	6X31.0	235
15	403	285.791	19	70	6X35.7	330.2
20	546	412.795	21	82	6X42.1	463.6



VUOI ANCORA PIÙ PRECISIONE? *NEED EVEN MORE PRECISION?*

3264 / 3265



**AUTOCENTRANTE A 3 GRIFFE
CON REGOLAZIONE DI PRECISIONE**
*3-JAW SELF-CENTERING CHUCK
WITH FINE ADJUSTMENT*

3864 / 3865



**AUTOCENTRANTE A 6 GRIFFE
CON REGOLAZIONE DI PRECISIONE**
*6-JAW SELF-CENTERING CHUCK
WITH FINE ADJUSTMENT*

3266 / 3866 / 3867

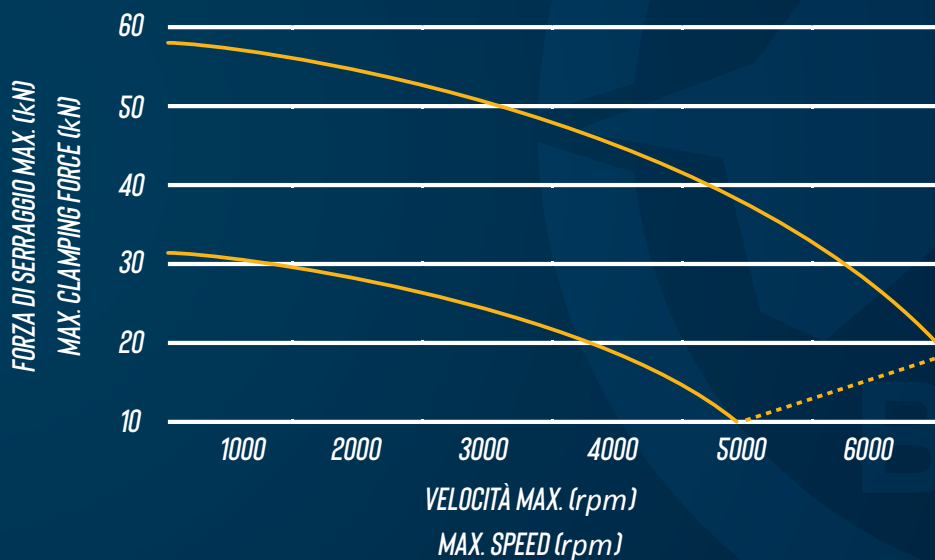


**AUTOCENTRANTE A 3/6 GRIFFE
PER AFFILATRICI**
*SELF-CENTERING CHUCK WITH 3 / 6 JAWS
FOR SHARPENING DRILLS*

CONTATTACI PER AVERE ALTRE INFO
CONTACT US TO FIND OUT MORE

MANDRINI AUTOMATICI

POWER CHUCKS



MANDRINO AUTOCENTRANTE AUTOMATICO

SELF-CENTERING POWER CHUCK

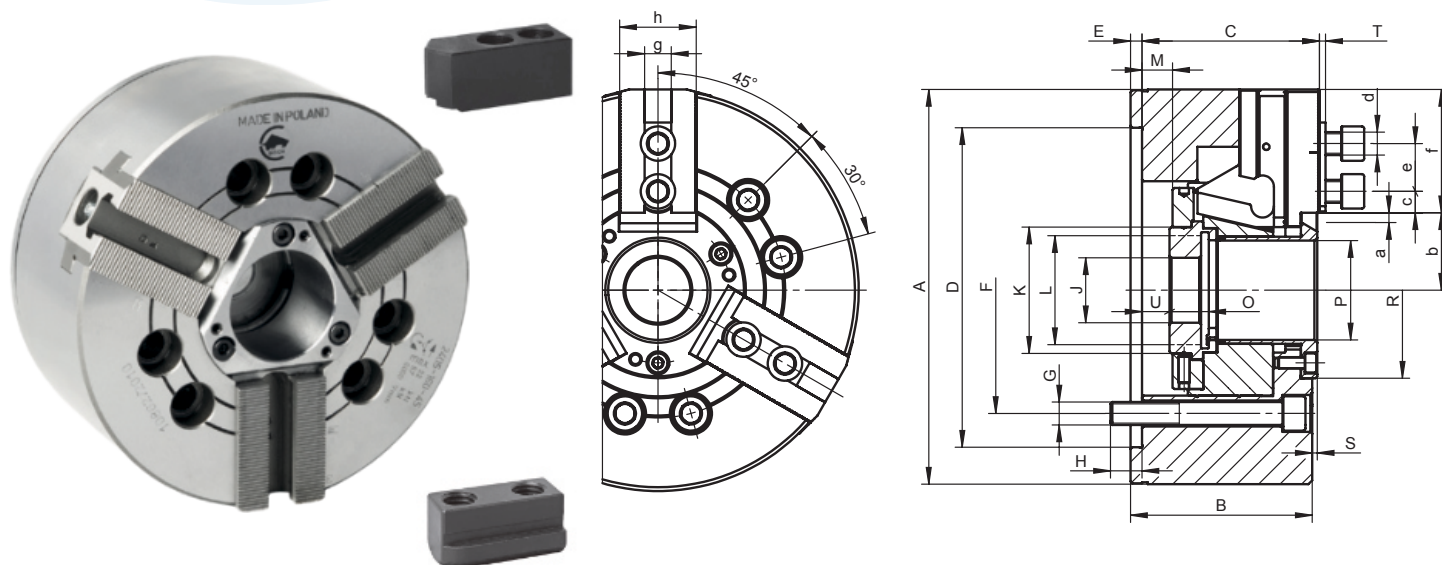
CORPO IN ACCIAIO, ATTACCO FLANGIA, CON PASSAGGIO BARRA
STEEL BODY, PLAIN BACK MOUNT, WITH THROUGH HOLE

DENTATURA METRICA 1.5mm X 60°
METRIC SERRATION 1.5mm X 60°



2405-K

(3 GRIFFE)
(3 JAWS)



DIAMETRI DISPONIBILI: DA 135 A 3000mm
AVAILABLE DIAMETERS: FROM 135 UP TO 3000mm

DISPONIBILE ANCHE SENZA PASSAGGIO BARRA
ALSO AVAILABLE WITHOUT THROUGH HOLE

\varnothing - DIAMETRO	135	160	200	250	315	400
B	60	81	95	106	108	130
ATTACCO - D (H6)	110	140	170	220	220	300
F	82.6	104.8	133.4	171.4	171.4	235
G	3XM10	6XM10	6XM12	6XM16	6XM16	6XM20
L max.	M40X1.5	M55X2.0	M60X2.0	M85X2.0	M100X2.0	M130X2.5
P	34	45	52	75	91	120
CORSA GRIFFA / JAW STROKE - a	2.7	3.5	5	6	6	7.85
DENTATURA / SERRATION	1.5mm X 60°	1.5mm X 60°	1.5mm X 60°	1.5mm X 60°	1.5mm X 60°	1.5mm X 60°
d	M8	M10	M12	M12	M16	M20
e	14	20	25	30	30	43
g (H7)	10	12	14	16	21	25.5
FORZA DI TRAZIONE MAX. (kN) MAX. TRACTION FORCE (kN)	17.5	22	34	43	56	71
FORZA DI SERRAGGIO MAX. (kN) MAX. CLAMPING FORCE (kN)	36	57	86	111	144	180
VELOCITÀ MAX. (rpm) MAX. SPEED (rpm)	7000	6000	5000	4200	3300	2500
kg	6	12	23	38	60	117

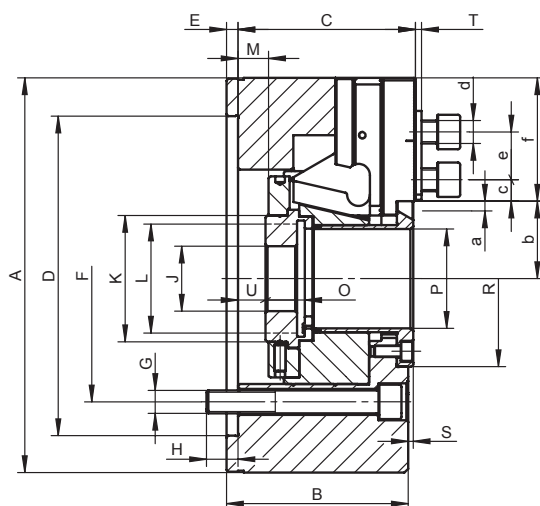
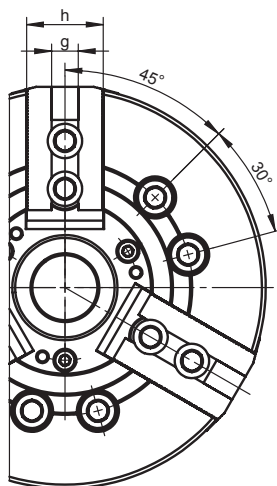
MANDRINO AUTOCENTRANTE AUTOMATICO SELF-CENTERING POWER CHUCK

CORPO IN ACCIAIO, ATTACCO FLANGIA, CON PASSAGGIO BARRA
STEEL BODY, PLAIN BACK MOUNT, WITH THROUGH HOLE

**NEW
PRICE**

DENTATURA IN POLLICI 1/16" X 90°
INCH SERRATION 1/16" X 90°

2405
(3 GRIFFE)
(3 JAWS)



DISPONIBILE ANCHE SENZA PASSAGGIO BARRA
ALSO AVAILABLE WITHOUT THROUGH HOLE

DIAMETRI DISPONIBILI: DA 160 A 3000mm
AVAILABLE DIAMETERS: FROM 160 UP TO 3000mm

\emptyset - DIAMETRO	160	200	250	315	400
B	81	95	106	108	130
ATTACCO - D (H6)	140	170	220	220	300
F	104.8	133.4	171.4	171.4	235
G	6XM10	6XM12	6XM16	6XM16	6XM20
L max.	M55X2.0	M60X2.0	M85X2.0	M100X2.0	M130X2.5
P	45	52	75	91	120
CORSA GRIFFA / JAW STROKE - a	3.5	5	6	6	7.85
DENTATURA / SERRATION	1/16" X 90°	1/16" X 90°	1/16" X 90°	1/16" X 90°	1/16" X 90°
d	M12	M12	M16	M16	M20
e	24	24.5	32	32	43
g (H7)	17	17	21	21	25.5
FORZA DI TRAZIONE MAX. (kN) MAX. TRACTION FORCE (kN)	22	34	43	56	71
FORZA DI SERRAGGIO MAX. (kN) MAX. CLAMPING FORCE (kN)	57	86	111	144	180
VELOCITÀ MAX. (rpm) MAX. SPEED (rpm)	6000	5000	4200	3300	2500
kg	12	23	38	60	117

MANDRINO AUTOCENTRANTE AUTOMATICO SELF-CENTERING POWER CHUCK

CORPO IN ACCIAIO, ATTACCO FLANGIA, CON PASSAGGIO BARRA
STEEL BODY, PLAIN BACK MOUNT, WITH THROUGH HOLE

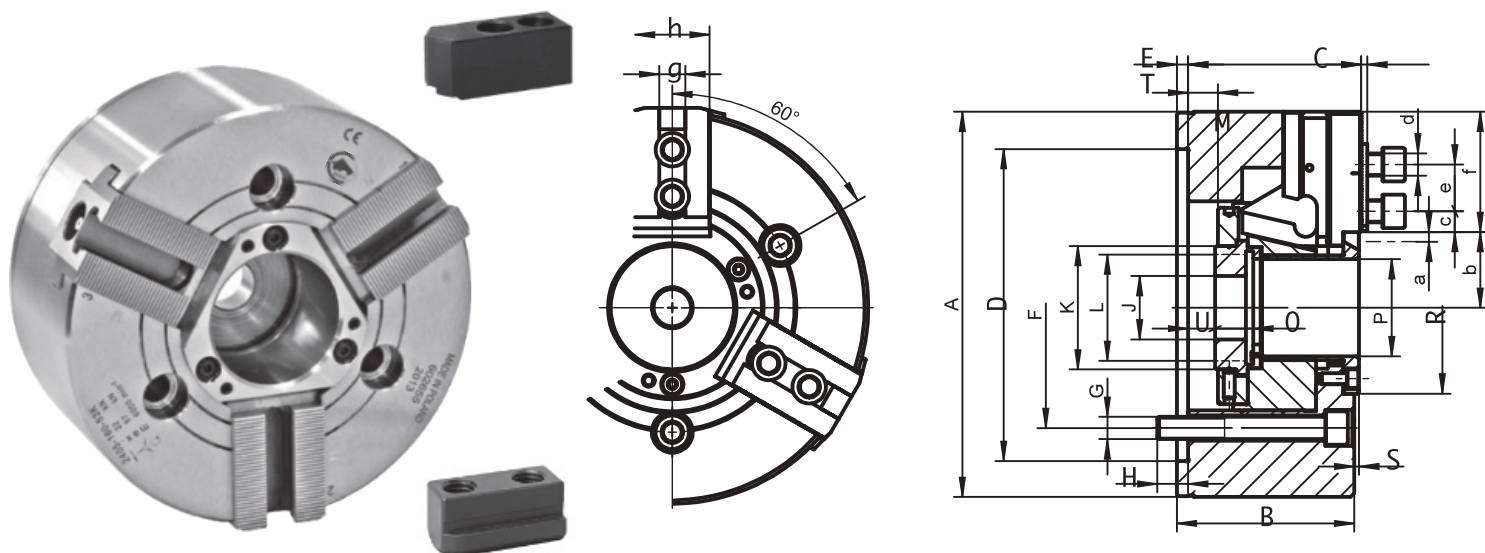
DENTATURA METRICA 1.5mm X 60°
METRIC SERRATION 1.5mm X 60°



2405-K ZW

(3 GRIFFE, CON GRANDE PASSAGGIO BARRA)

(3 JAWS, WITH LARGE THROUGH HOLE)



DIAMETRI DISPONIBILI: DA 160 A 3000mm
AVAILABLE DIAMETERS: FROM 160 UP TO 3000mm

Ø - DIAMETRO	160	200	250	315
B	81	95	106	108
ATTACCO - D (H6)	140	170	220	220
F	104.8	133.4	171.4	171.4
G	3XM10	3XM12	3XM16	3XM16
L max.	M62X2.0	M75X2.0	M90X2.0	M120X2.0
P	53	66	81	110
CORSA GRIFFA / JAW STROKE - a	3.5	5	6	6
DENTATURA / SERRATION	1.5mm X 60°	1.5mm X 60°	1.5mm X 60°	1.5mm X 60°
d	M10	M12	M12	M16
e	20	25	30	30
g (H7)	12	14	16	21
FORZA DI TRAZIONE MAX. (kN) MAX. TRACTION FORCE (kN)	22	34	43	56
FORZA DI SERRAGGIO MAX. (kN) MAX. CLAMPING FORCE (kN)	57	86	111	144
VELOCITÀ MAX. (rpm) MAX. SPEED (rpm)	6000	5000	4200	3300
kg	12	21	33	55

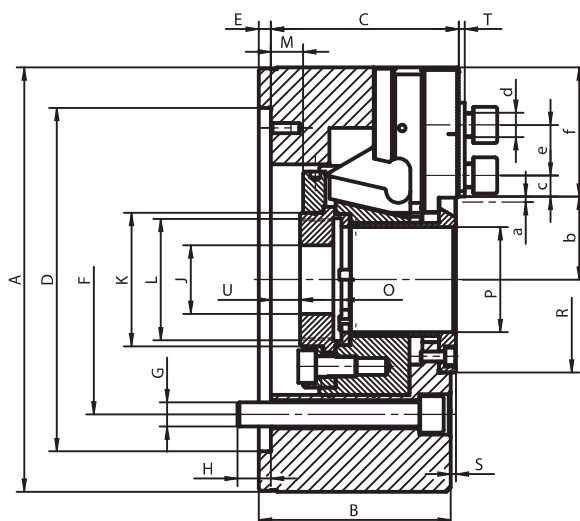
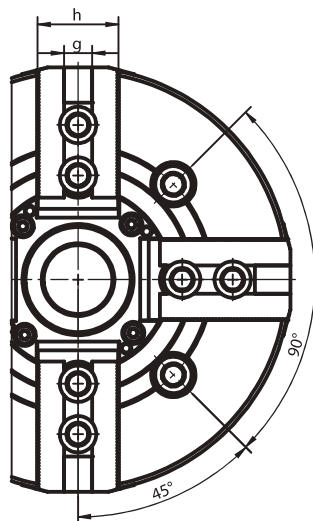
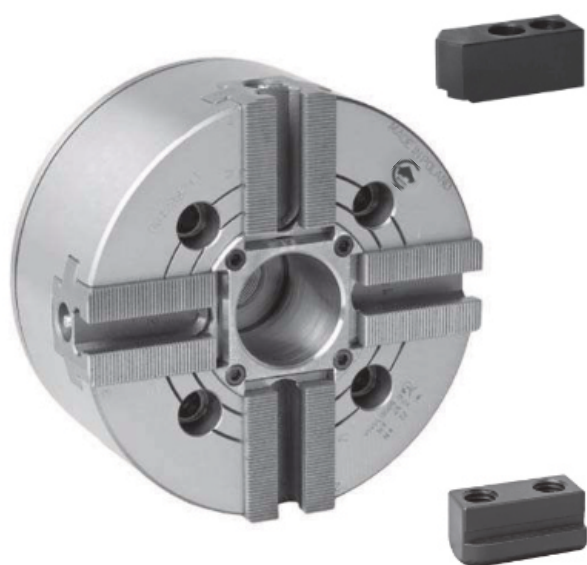
MANDRINO AUTOCENTRANTE AUTOMATICO SELF-CENTERING POWER CHUCK

CORPO IN ACCIAIO, ATTACCO FLANGIA, CON PASSAGGIO BARRA
STEEL BODY, PLAIN BACK MOUNT, WITH THROUGH HOLE

**NEW
PRICE**

DENTATURA METRICA 1.5mm X 60°
METRIC SERRATION 1.5mm X 60°

2605-K
(4 GRIFFE)
(4 JAWS)



DISPONIBILE ANCHE SENZA PASSAGGIO BARRA
ALSO AVAILABLE WITHOUT THROUGH HOLE

DIAMETRI DISPONIBILI: DA 160 A 3000mm
AVAILABLE DIAMETERS: FROM 160 UP TO 3000mm

Ø - DIAMETRO	160	200	250	315
B	81	95	106	108
ATTACCO - D (H6)	140	170	220	220
F	104.8	133.4	171.4	171.4
G	4XM10	4XM12	4XM16	4XM16
L max.	M55X2.0	M60X2.0	M85X2.0	M100X2.0
P	45	52	75	91
CORSA GRIFFA / JAW STROKE - a	3.5	5	6	6
DENTATURA	1.5mm X 60°	1.5mm X 60°	1.5mm X 60°	1.5mm X 60°
d	M10	M12	M12	M16
e	20	25	30	30
g (H7)	12	14	16	21
FORZA DI TRAZIONE MAX. (kN) MAX. TRACTION FORCE (kN)	22	34	43	56
FORZA DI SERRAGGIO MAX. (kN) MAX. CLAMPING FORCE (kN)	57	86	111	144
VELOCITÀ MAX. (rpm) MAX. SPEED (rpm)	5000	4300	3600	2800
kg	12	21.5	35	56.5

MANDRINO AUTOCENTRANTE AUTOMATICO

SELF-CENTERING POWER CHUCK

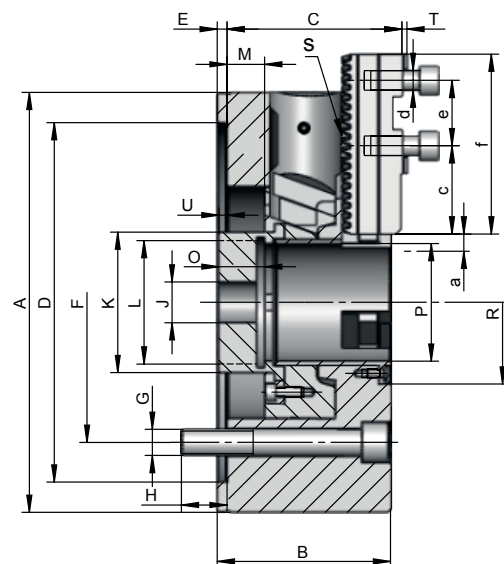
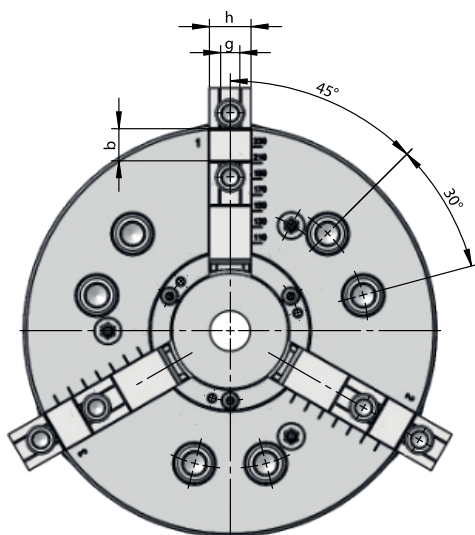
CORPO IN ACCIAIO, ATTACCO FLANGIA, CON PASSAGGIO BARRA
STEEL BODY, PLAIN BACK MOUNT, WITH THROUGH HOLE

BISON

2305

(3 GRIFFE A CAMBIO RAPIDO)

(3 QUICK-CHANGE JAWS)



\varnothing - DIAMETRO	200	250	315
B	89	106	106
ATTACCO - D (H6)	170	220	300
F	133,4	171,4	235
G	6XM12	6XM16	6XM20
L max.	M52X2	M80X2	M100X2
P	45	72	91
S	4,8	6	6
d	M8X1	M12X1,5	M12X1,5
e	40	40	40
g (H7)	10	12	12
TIPO DI GRIFFE	F200	F250	F250
FORZA DI TRAZIONE MAX. (kN) MAX. TRACTION FORCE (kN)	45	60	60
FORZA DI SERRAGGIO MAX. (kN) MAX. CLAMPING FORCE (kN)	84	120	120
VELOCITÀ MAX. (rpm) MAX. SPEED (rpm)	5500	4500	3500
kg	20	35	54

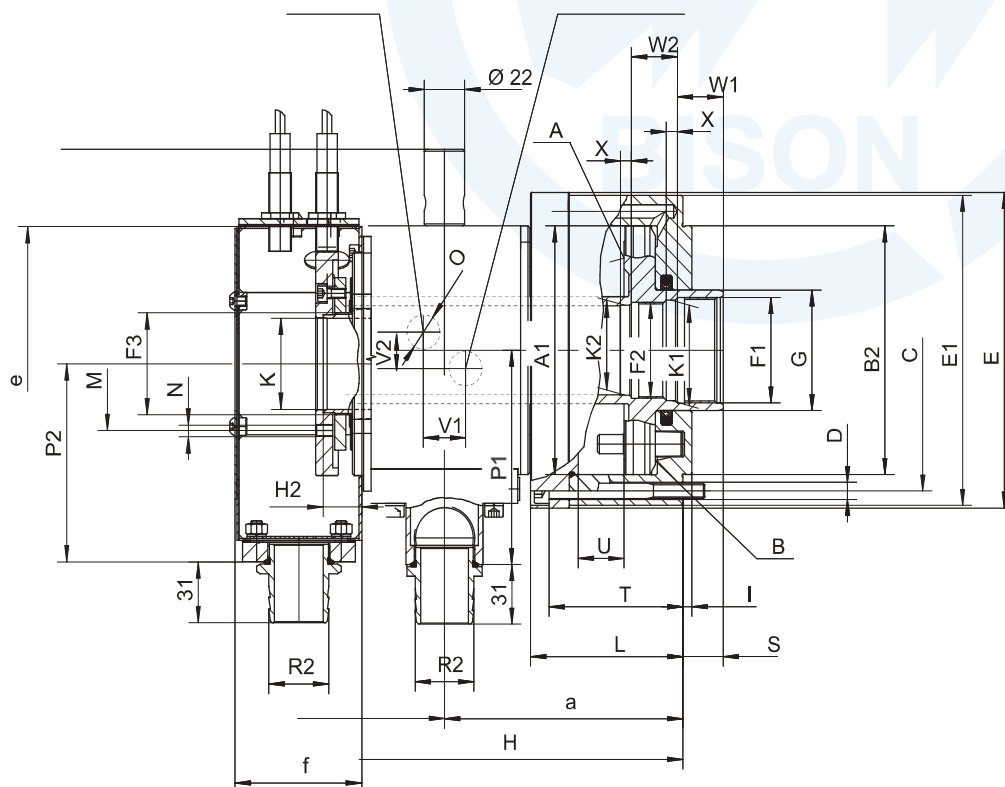
**NEW
PRICE**

1305-SDC



CILINDRO IDRAULICO HYDRAULIC CYLINDER

CON PASSAGGIO BARRA
WITH THROUGH HOLE



Ø - DIAMETRO	130	150	165	205
B2 (H6)	130	140	160	210
C	147	165	180	227
E	165	165	202	249
F1	M55X2.0	M60X1.5	M75X2.0	M105X2.0
K	46.5	52.5	67.5	95.5
U	25	25	30	35
PRESSIONE MAX [MPa] MAX. PRESSURE [MPa]	4.5	4.5	4.5	4.5
SUPERFICIE PISTONE - A [cm²] PISTON SURFACE - A [cm²]	110	145.5	169	243
SUPERFICIE PISTONE - B [cm²] PISTON SURFACE - B [cm²]	103.5	138.2	157	226
FORZA DI SPINTA MAX. (p=4.5 MPa) (kN) MAX. PUSH FORCE (p=4.5 MPa) (kN)	49.5	64	75	108
FORZA DI TRAZIONE MAX. (p=4.5 MPa) (kN) MAX. PULL FORCE (p=4.5 MPa) (kN)	46	61	70	100
DRENAGGIO OLIO (p=3 MPa, 50°C) [dm³/min] OIL DRAINAGE (p=3 MPa, 50°C) [dm³/min]	3	3.5	4	7
VELOCITÀ MAX. (rpm) MAX. SPEED (rpm)	7100	6300	6000	4500
kg	14.3	17	23	35.6

GRIFFE PER MANDRINO AUTOCENTRANTE AUTOMATICO

JAWS FOR SELF-CENTERING POWER CHUCK

SGT

BLOCCHETTI TEMPRATI
HARD TOP JAWS



MANDRINO	DIAMETRO	DENTATURA	N. GRIFFE
2405-K	135-3000	1.5mm X 60°	3
2405	160-3000	1/16" X 90°	3
2405-K ZW	160-3000	1.5mm X 60°	3
2605-K	160-3000	1.5mm X 60°	4

SGM

BLOCCHETTI TENERI
SOFT TOP JAWS



MANDRINO	DIAMETRO	DENTATURA	N. GRIFFE
2405-K	135-3000	1.5mm X 60°	3
2405	160-3000	1/16" X 90°	3
2405-K ZW	160-3000	1.5mm X 60°	3
2605-K	160-3000	1.5mm X 60°	4

WT

TASSELLI A T
T-NUTS



MANDRINO	DIAMETRO	N. TASSELLI
2405-K	135-3000	3
2405	160-3000	3
2405-K ZW	160-3000	3
2605-K	160-3000	4

GRIFFE PER MANDRINO AUTOCENTRANTE AUTOMATICO A CAMBIO RAPIDO

JAWS FOR QUICK-CHANGE SELF-CENTERING POWER CHUCK

SGT F

BLOCCHETTI TEMPRATI
HARD TOP JAWS



MANDRINO	DIAMETRO	N. GRIFFE
2305	200-250-315	3

SGM F

BLOCCHETTI MORBIDI
SOFT TOP JAWS



MANDRINO	DIAMETRO	N. GRIFFE
2305	200-250-315	3

SP F

GRIFFE BASE
MASTER JAWS



MANDRINO	DIAMETRO	N. GRIFFE
2305	200-250-315	3

SJT F

INTEGRALI TEMPRATE
SOFT TOP JAWS

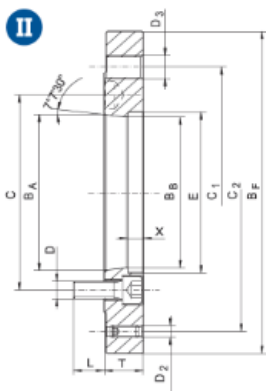
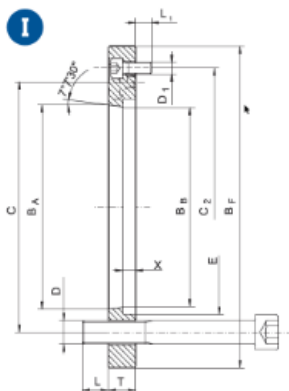


MANDRINO	DIAMETRO	N. GRIFFE
2305	200-250-315	3

FLANGE PER MANDRINI AUTOMATICI ADAPTER PLATES POWER CHUCK

8213

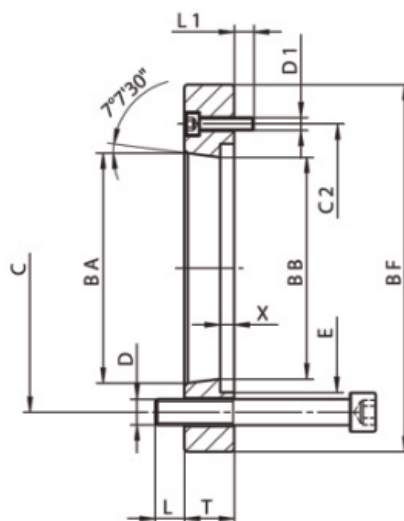
FLANGIA PER MANDRINI A 3 GRIFFE (2405-K / 2405)
ADAPTER PLATE FOR 3-JAW CHUCKS (2405-K / 2405)



Ø	Z	NASO / SPINDLE	BF	C	C1	D	T	KG
135	I	A4	110	82.6	-	3XM10	22	1.2
160	I	A5	140	104.8	-	6XM10	20	1.7
200	II	A5	170	104.8	133.4	6XM10	26	3
200	I	A6	170	133.4	-	6XM12	23	2.8
250	II	A6	220	133.4	171.4	6XM12	35	5.8
250	I	A8	220	171.4	-	6XM16	37	6.5
315	II	A6	220	133.4	171.4	6XM12	37	7
315	I	A8	220	171.4	-	6XM16	37	7.3
400	II	A8	300	171.4	235	6XM16	41	12.9
400	I	A11	300	235	-	6XM20	44	17.2

8213

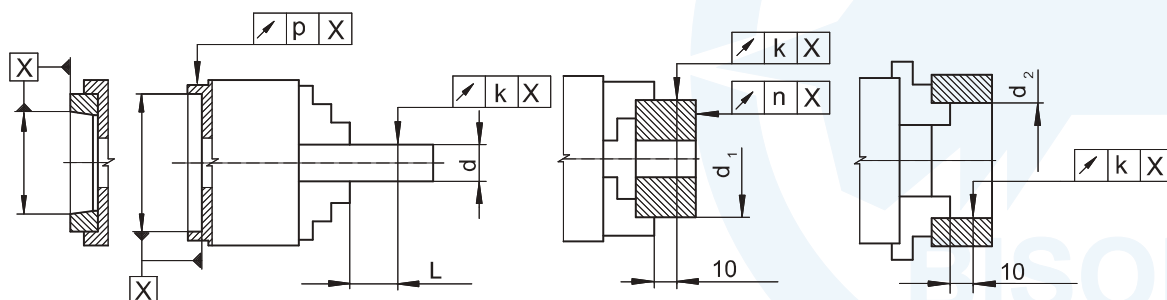
FLANGIA PER MANDRINI A 4 GRIFFE (2605-K)
ADAPTER PLATE FOR 4-JAW CHUCKS (2605-K)



Ø	NASO / SPINDLE	BF	C	D	T	KG
160	A5	140	104.8	4XM10	20	1.6
200	A6	170	133.4	4XM12	23	2.6
250	A8	220	171.4	4XM16	35	6
315	A8	220	171.4	4XM16	37	6.8

ACCURATEZZA DI CENTRAGGIO

CENTERING ACCURACY



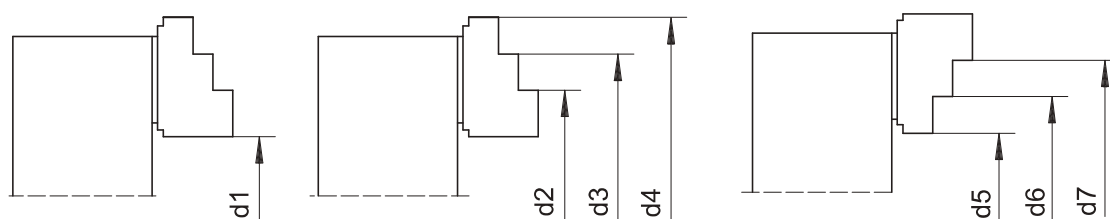
2405 / 2405-K



\emptyset	d	d1	d2	L	k	n	p
135	18-40	100	75	40	0.02	0.02	0.01
160	20-50	125	100	40	0.025	0.02	0.01
200	32-80	200	125	40	0.025	0.02	0.01
250	32-80	200	162	60	0.03	0.03	0.01
315	50-125	250	162	80	0.04	0.03	0.01
400	75-125	250	252	80	0.05	0.03	0.01

CAMPO DI SERRAGGIO

CLAMPING RANGE



2405 / 2405-K

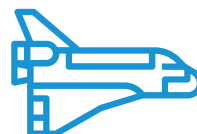


\emptyset	d1	d2	d3	d4	d5	d6	d7
135	10-72	52-112	83-144	118-180	14-73	50-109	82-141
160	15-95	66-144	104-184	145-226	20-97	62-139	102-179
200	14-118	77-179	125-229	175-279	25-118	89-168	153-218
250	18-134	100-214	162-277	226-342	25-140	89-204	153-268
315	38-197	118-274	177-334	246-403	38-197	107-266	167-326
400	46-234	157-343	240-429	328-517	46-234	134-322	220-408

APPLICATION



AUTOMOTIVE



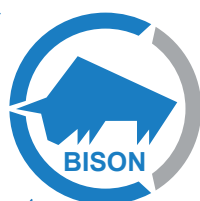
**AEROSPACE
INDUSTRY**



**MEDICAL
INDUSTRY**



**MECHANICAL
ENGINEERING**



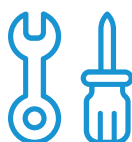
BiSON



**STEEL
CONSTRUCTION**



RAILWAY



**TOOL & MOLD
PRODUCTION**

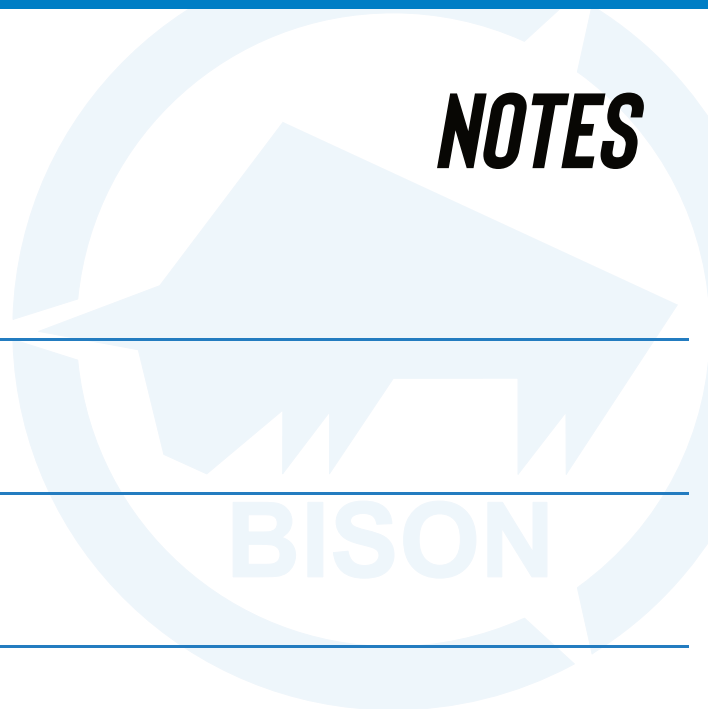


**POWER
GENERATION**

**PER ULTERIORI INFORMAZIONI SUI PRODOTTI PRESENTI NELLA NOSTRA GAMMA, ED OTTENERE I DISEGNI TECNICI,
VI PREGHIAMO DI RICHIEDERE IL CATALOGO COMPLETO AL VOSTRO REFERENTE BISON DI FIDUCIA.**

**FOR FURTHER INFO REGARDING PRODUCTS IN OUR RANGE, AND TO OBTAIN THE TECHNICAL DRAWINGS,
WE KINDLY ASK YOU TO REQUEST THE COMPLETE CATALOGUE TO YOUR TRUSTED BISON REPRESENTATIVE.**

NOTES



COPYRIGHT © 2021 BISON ITALIA SRL - ALL RIGHTS RESERVED

***ERRORI TIPOGRAFICI O DI STAMPA RILASCIATI DA SOCIETÀ DEL GRUPPO BISON SONO SOGGETTI
A CORREZIONE SENZA ALCUNA RESPONSABILITÀ DA PARTE DEL GRUPPO BISON.***

***TYPOGRAPHICAL OR PRINTING ERRORS ISSUED BY SUBSIDIARIES OF BISON GROUP SHALL BE SUBJECT
TO CORRECTION WITHOUT ANY LIABILITY ON THE PART OF THE BISON GROUP.***

BISON ITALIA SRL

VIA DELLE ARTI 10
40023 - CASTEL GUELFO (BO)
ITALY

+39 0542-1890365
INFO@BISON-BIAL.IT

1 1. MANDRINI MANUALI E AUTOMATICI

2 2. CONTROPUNTE FISSE E ROTANTI

3 3. MORSE E DIVISORI

4 4. MANDRINERIA

BISON